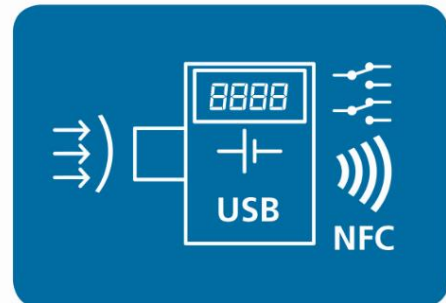


DM670PM FIELD/WALL MOUNTED PRESSURE DISPLAY

- > **PRESSURE/TEMPERATURE DISPLAY/LOGGING**
- > **GAUGE OR ABSOLUTE**
- > **DUAL RELAYS, MAX/MIN INFORMATION**
- > **USER-SET DISPLAY MESSAGING**
- > **3600 POINT LOGGER (USB or COMPATIBLE ANDROID DEVICE)**

> **INTRODUCTION**

The DM670PM series of battery powered indicators accept gauge or absolute pressure and displays the sensor pressure in BAR, PSI or the user's engineering unit on a 6-digit LCD display. The instrument offers an advanced display mode allowing the user to also display one or two (1 to 32) character messages. Additional to the messages, the user may select an alert-event to occur when the pressure is within a band. The two change-over relays can be used together with the messaging and alerts to provide switching at user-set points. In addition to this, on-board datalogging is also available to record pressure and process temperature process details at up to 3600 points.



> **FEATURE HIGHLIGHTS**

DUAL RELAYS

The instrument is equipped with dual volt-free changeover-type relays, operating independently. The user may select one of seven actions, including deviation, latched or non-latched operation, with fully adjustable set point and dead band. The Relays may be turned off if not required to extend battery life. An option is provided to trigger an alert-event when a relay contact is on.

DATA LOGGING FUNCTION

DM670PM also provides a powerful data logging function. The log points can be set up to 3600 points, each point is time and date-stamped together with pressure, temperature and relay state information.

The log rate is selectable in steps. The start of log can be delayed if required. Either fixed or rolling logs may be performed.

Two methods of reading the log are available. The USB configuration reads the log and allows the user to save to a text file for export to other programmes. While the NFC android interface allows data transfer to compatible android phones or tablets, by using the downloadable App the data can be graphed and forwarded by email, Bluetooth etc. The NFC interface is also capable of starting a new log with different log period and modes.

CALIBRATION/USER-LINEARISATION

5-point calibration can be applied using the USBSpeedLink software.

As well as straight line interpolation, up to 22 points (x,y) of user-linearization are available for creating custom curves and corrections.

REAL-TIME CLOCK

Date and time-stamped maximum, minimum and average temperature values as well as relay on and relay off data is recorded and can be displayed along with the current time and date. The real-time clock is also used to record the data logged points.

DM670PM FIELD/WALL MOUNTED PRESSURE DISPLAY

| INPUT Pressure | | SPECIFICATIONS @20°C | |
|---|---|--|---|
| Type | bar Gauge = bar Absolute | | Accuracy/stability |
| Sealed gauge *1 | -0.5 to 0.5 0 to 3 -1 to 9 0 to 30 0 to 100 | 0.5 to 1.5 1 to 4 0 to 10 1 to 31 1 to 101 | ±0.15% of full scale at 20°C *2 ±0.5% of full scale between (0 to 50) °C *3 ±0.7% of full scale between (-10 to 80) °C *3 |
| Overpressure | 4 x pressure range | | Up to maximum 350 Bar |
| Thermal drift | | | (-10 to 80) °C compensated |
| *1 Shows zero bar at 1.0 bar absolute, use custom scaling to display as absolute | | | |
| *2 Linearity best straight line, hysteresis, repeatability | | | |
| *3 Total error band: Maximum deviation within specified pressure and operating temperature range | | | |
| To maintain full accuracy annual calibration is recommended: contact support@status.co.uk for details | | | |

| INPUT Temperature | | SPECIFICATIONS @20°C | |
|--------------------|----------------|----------------------|--|
| Type | Range | Accuracy/stability | |
| Medium temperature | (-40 to 110)°C | Typically, ±2.0°C | |

| DISPLAY | |
|---|---|
| Type/options/function | Description |
| Display height | 15.8 mm non-backlit |
| Display information options Some information is displayed scrolling. | 6 digits 14 segment input value plus "Warning", "Transmit", "NFC", "USB", "Log", "Battery", "Off-set" icons, 8 segment log volume indicators. Maximum, minimum, average*1. Date and time. Custom messages for visual alarms/information. Relay condition. |
| High intensity LED | Alarm and warning options |
| *1 Rolling average data log is independent of data logging | |

| RELAYS Relay 1 and Relay 2 | |
|-------------------------------|---|
| Type/ options/ function | Description |
| 2 x independent relays | Single pole change-over (common, N/o, N/c) |
| Rating | 48 VDC maximum @ 1 A (5 mA minimum) 28 VAC RMS maximum @ 1 A |

| USB CONFIGURATION USER INTERFACE | | |
|----------------------------------|--|---|
| Type/options/function | Description | Notes |
| Configuration hardware | USB Mini B port | Cable not included |
| Configuration software | USBSpeedLink | Download www.status.co.uk |
| Operating system | Microsoft Windows | Win 7 or later |
| Sensor configuration | User calibration Off-set in Bar | Up to 5 points Applied by button action |
| Display configuration | Display mode Pressure units Custom units | Basic with advanced options °C or °F Bar, PSI, mBar, Pa, KPa, MPa Kgf/m ² , Kgf/cm ² , Kgf/mm ² Atm, custom units (any) With 22-point linearisation |
| Pre-set sensor to setpoint | Locks input value to setpoint | For diagnostics |
| LED alert (advanced mode) | Eight user-adjustable pressure bands | Alert LED flash |
| Warning symbol | Out of range Low battery level | Warning symbol will flash on LCD display |

DM670PM FIELD/WALL MOUNTED PRESSURE DISPLAY

| USB CONFIGURATION USER INTERFACE (Continued) | | |
|--|--|--|
| Basic display mode | Update rate Display variable options Temperature units Push buttons Alert LED Rolling average | 1 s/ 5 s Input, input + units, input + units + temperature °C or °F Active, active with time stamp, off Options Period, number of samples |
| Advanced display mode *1 | Display variable (see basic mode) with messaging options | |
| Battery monitor | Alert LED plus message | Relay option |
| Logger | Set device passkey number Clear/start new log | Device passkey is used to protect the NFC interface. |
| Other device options | Synchronise clock Write tag/contact address Read/reset maximum and minimum input values Latitude longitude settings | |
| Relay control | Name(s) Action Setpoint Dead band Latch | 10 characters High, low, band, low battery, on, off In engineering units On/off |
| Live data | Read sensor pressure Read displayed value Read sensor temperature Relay 1 state. Relay 2 state Time and date | bar Selected engineering unit °C |
| *1 Only use advanced display above -5°C ambient temperature, below use basic display | | |

| USB LOGGER USER INTERFACE | | |
|--|-----------------------------------|---|
| Type/options/function | Description | Notes |
| Logger hardware | USB Mini B port | Cable not included |
| Logger software | USBLogLink | Download www.status.co.uk |
| Operating system | Microsoft Windows | Win 7 or later |
| Logger records pressure and temperature points | Start/set log parameters | Interval, rate, (delay) start, number of points, rolling or fixed log |
| | Read log parameters | |
| | Stop, start new log, synchronise, | read clock, reset maximum and minimum |
| | View log data/graph log data | Save data to CSV file |

| NFC ENABLED ANDROID DEVICE REQUIREMENTS | |
|--|---|
| Tag Type | NFC Forum Tag Type 4 (max capacity 65536 Bytes) |
| RF Interface | ISO/IEC 14443 Type B Compliant (13.56 MHz) |
| Android device | Compatibility to read NFC Tag type 4 to full capacity 65536 bytes |
| Note: If the Android device cannot read full bytes the maximum number of log points will be reduced. | |

| NFC LOGGER USER INTERFACE ANDROID | | |
|--|-----------------------------------|---|
| Type/options/function | Description | Notes |
| Logger software | NFCLogLink | @ Google Play Store |
| Operating system | Android V4.4 Kitkat or later | NFC enabled |
| Logger records pressure and temperature points | Start/set log parameters | Interval, rate, (delay) start, number of points, rolling or fixed log |
| | Read log parameters | |
| | Stop, start new log, synchronise, | read clock |
| | Reset maximum and minimum | |
| View log data/ graph log data | Save data to text file | |
| Transfer data via email etc. | Standard Android functions | |

DM670PM FIELD/WALL MOUNTED PRESSURE DISPLAY

| PUSH BUTTON USER INTERFACE | | |
|--|-----------------------------|----------------------------|
| Button | Description | Notes |
| Maximum and minimum | Display, display and reset | Time and date stamp option |
| | Offset, offset reset | |
| | Rolling average option | Number and rate options |
| Relay | Display relay configuration | Time and date stamp option |
| | Reset latched relay | |
| Relay setpoint adjustment is not possible using front panel buttons, USBSpeedLink required | | |
| Buttons can be locked out to avoided tampering | | |

| GENERAL | |
|---------------------|---|
| Function | Description |
| Update rate | 1 or 5 seconds |
| Relay response time | < 10 seconds |
| Battery | 1 x (AA 3.6 V lithium) |
| Battery life | 1 year minimum @20°C (longer depending on options selected) |
| Clock accuracy | ±2 seconds per month typically |

| ENVIRONMENTAL | |
|-----------------------------|---|
| Function | Description |
| Ambient housing temperature | Operating/storage (-30 to 70)°C |
| Ambient sensor temperature | Operating (-40 to 110)°C |
| Ambient humidity | Operating/storage (10 to 90) %RH non-condensing |
| Protection | IP65, cable entry must be sealed to IP65 |
| USB configuration ambient | (10 to 30)°C |

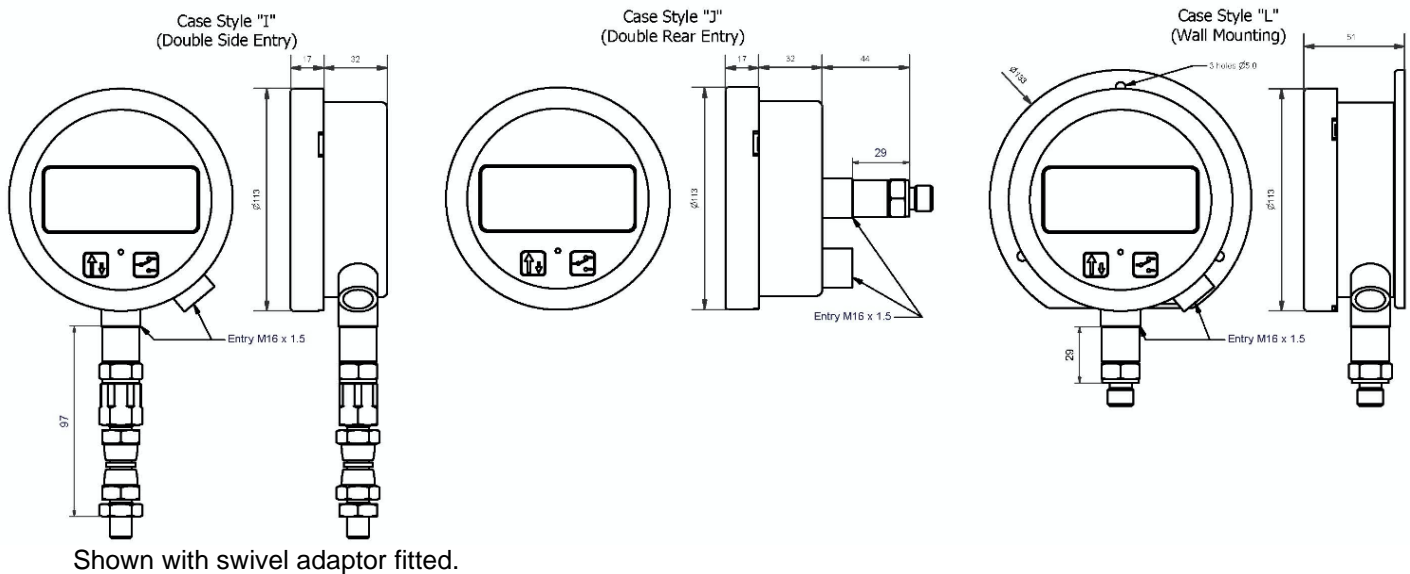
| CONNECTIONS | |
|-------------------|--|
| Sensor to process | ¼ inch BSP male with adaptor options (see accessories) |
| Output relays | 2 x Two-part screw connectors |
| USB connection | USB mini B port |

| MECHANICAL | |
|--------------------------------|---|
| Enclosure (case) | Stainless steel, side or base mount options |
| Case entry | 1 x M16 female thread, blanking plug supplied |
| Front bezel diameter | 113 mm |
| Weight (approximate) | 520 g |
| Material in contact with media | Stainless steel 316L |
| O-ring | Viton |

| APPROVALS | |
|--------------------|----------------------|
| EMC | BS EN 61326 |
| Ingress protection | BS EN 60529 |
| RoHS | Directive 2011/65/EU |

DM670PM FIELD/WALL MOUNTED PRESSURE DISPLAY

| ORDER CODE | | DM670PM | |
|--------------------------------------|-----------|---|--|
| Case | Body type | Order Input range required in bar gauge | |
| Side mounted | /I | /option | Input range in bar gauge 9 = (-1 to 9) 0.5 = (-0.5 to 0.5) 3 = (0 to 3) 30 = (0 to 30) 100 = (0 to 100) See Input specification for absolute ranges |
| Base mounted | /J | /option | |
| Wall mount | /L | /option | |
| Example: Side mounted, (0 to 30) bar | | Cable entry M16 | |
| DM670PM | /I | /30 | |



| ACCESSORIES | |
|--|---|
| Swivel adaptor ¼ BSPP | SA14BSP |
| Swivel adaptor ½ BSPP | SA12BSP |
| Swivel adaptor ¼ NPT | SA14NPT |
| Swivel adaptor other options available | sales@status.co.uk |
| Hygienic fittings available | sales@status.co.uk |
| Configuration software | USBSpeedLink free of charge from www.status.co.uk |
| USB logging software | USBLogLink free of charge from www.status.co.uk |
| NFC logging software | NFCLogLink free of charge, refer to Google Play Store |
| USB lead | USB lead, part number 42-200-0001-01 |
| Battery 3.6 V lithium | Contact sales@status.co.uk |

To maintain full accuracy annual calibration is required contact: support@status.co.uk for details.
 The data in this document is subject to change. Status Instruments assumes no responsibility for errors

Status Instruments Ltd
 Status Business Park
 Gannaway Lane, Tewkesbury
 Gloucestershire, UK
 GL20 8FD

Tel: +44 (0)1684 296818
 Fax: +44 (0)1684 293746
 Email: sales@status.co.uk
 Website: www.status.co.uk

