

PRESSURE TRANSMITTER

PTX 130G3 & G4

- Measuring Range (50 to 1000) mbar
- Oil Filled Isolated Silicon Sensor
- 2 wire (4 to 20) mA or Voltage Output
- <0.25% FS Accuracy
- Choice Of Process Connections



INTRODUCTION

The PTX130G3 and G4 has an oil filled isolated silicon sensor giving it excellent media compatibility and accuracy. Constructed of stainless steel, it is available with a wide variety of process connections, and every device is temperature compensated. The electronics are microprocessor based which means no manual adjustment is needed. The product can be ordered with current or voltage output and has excellent temperature stability.

SPECIFICATION @ 20 °C

Type Gauge
 Pressure Range (0 to 1000) mbar

Nominal Pressure (mbar)	Permissible Overpressure (mbar)
50	400
60	400
100	400
160	400
250	700
400	1400
600	1400
1000	2000

Accuracy (non-linearity & hysteresis)
 ≤ ±0.25 % / Full Scale
 Option ≤ ±0.1 % / Full Scale

Setting Errors (offsets)
 Zero & Full Scale ≤ ±0.5 % / Full Scale

Thermal Zero Shift
 ≤ ±0.04 % / Full Scale / °C
 Option ≤ ±0.02 % / Full Scale / °C

Thermal Span Shift
 ≤ -0.015 % / °C

Media Temperature (-40 to 120) °C
 (150 °C with integrated cooling element)

Ambient Temperature (-20 to 80) °C

Storage Temperature (-40 to 120) °C

Compensated Temperature Range
 (20 to 80) °C

Output (4 to 20) mA two wire
 Options (See order codes)

Supply Voltage (9 to 32) V DC
 (See order code for optional outputs supplies)

Supply Voltage Influence Typically <0.05 % FS

Load Resistance
 2-wire $R_{max} = \frac{(V_{supply} - V_{supply\ min})}{0.02}$

3-wire $R_{min} = 10\ k\Omega$

Load Influence 0.05 % FSO / kΩ

Material
 Diaphragm, Stainless Steel 316L
 Housing Stainless Steel 303
 O Rings Viton

Process Connections G¼" male
 Options (See order codes)

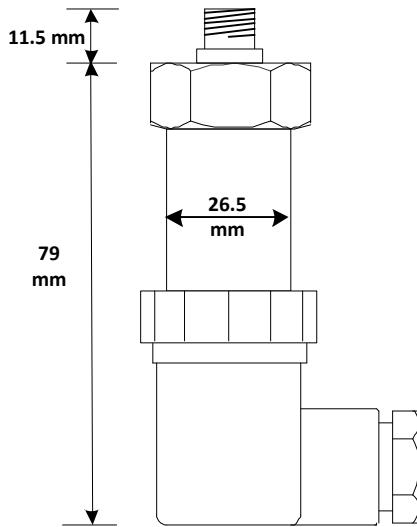
Mechanical Stability
 Shock 100 g / 11 ms
 Vibration 10 g RMS (20 to 2000) Hz

PRESSURE TRANSMITTER

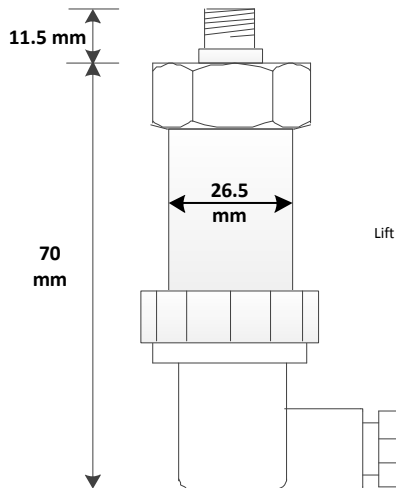
Wiring Designation

		Large Plug & Socket	Small Plug & Socket	IP66 Cable	AMP 6-Pin Bayonet	IP68 Vented cable	Binder 6-Pin Connector	M12x1 4 Pin Connector
2-Wire	+ve Supply -ve Supply Ground	Pin 1 Pin 2 Earth Pin	Pin 1 Pin 2 Earth Pin	Red Blue Green	Pin 1 Pin 2 Earth Pin	Red Blue White	Pin 1 Pin 2 Pin 3	Pin 1 Pin 2 Pin 3
3-Wire	+ve Supply -ve Supply +ve Output Ground	Pin 1 Pin 2 Pin 3 Earth Pin	Pin 1 Pin 2 Pin 3 Earth Pin	Red Blue Green Yellow	Pin 1 Pin 2 Pin 3 Earth Pin	Red Blue White Yellow	Pin 1 Pin 2 Pin 3 Pin 4	Pin 1 Pin 2 Pin 3 Pin 4

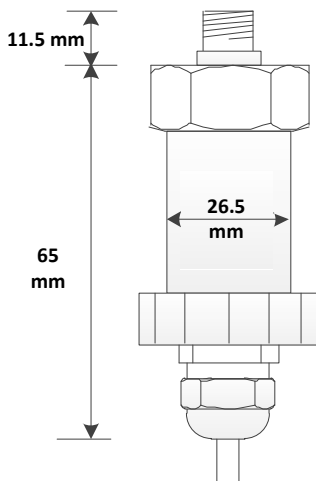
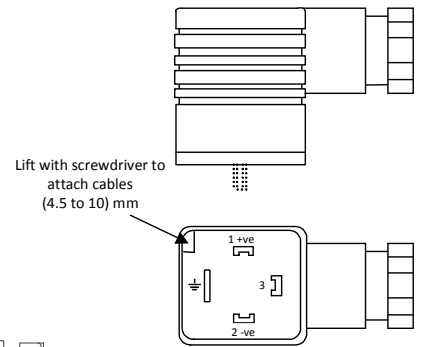
MECHANICAL



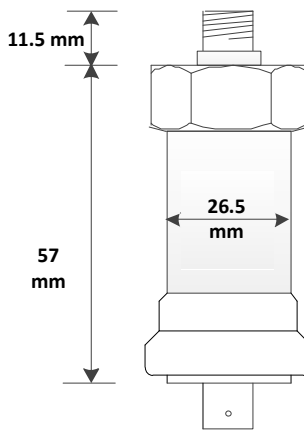
Large Plug & Socket



Small Plug & Socket



Cable Gland Assembly



Amphenol Connector

PRESSURE TRANSMITTER

ORDER CODE

PTX130									
Pressure Type: Gauge	G								
Pressure Range:									
(0 to 1000) mbar									3
(0 to 60) mbar									4
Output:		Supply Voltage Variations							
(4 to 20) mA 2-Wire									-5
Options:									
(0 to 5) V 3-Wire									-6
(0 to 10) V 3-Wire		(13 to 32) VDC							-7
(1 to 5) V 3-Wire									-8
(0.5 to 4.5) V 3-Wire		5 VDC							-9
(1 to 10) V 3-Wire		(13 to 32) VDC							-A
(1 to 6) V 3-Wire									-B
(0 to 6) V 3-Wire									-C
(0.5 to 4.5) V 3-Wire (non ratiometric)		5 VDC							-D
Accuracy (Combined NL&H)									
<±0.25									A
Option:									
<±0.1									B
Accuracy (Thermal Zero Shift)									
<±0.04%/FS/°C									4
Options:									
<±0.02%/FS/°C									2
Electrical Connection									
Large Plug & Socket (GDM3009, DIN43650)									-B
Options:									
Small Plug & Socket (GDS307, DIN43650)									-A
Screened Cable via IP66 gland									-C
Amphenol 6 pin Bayonet connector									-D
Vented Cable via IP68 Gland									-E
Binder 6 Pin 723 Series connector									-F
M12 x 1, 4 Pin connector									-G
Process Connection									
G¼" Male DIN3852									A
Options:									
G¼" Male DIN3852 (316 St/St)									B
G½" Male DIN3852									F
G¼" Male DIN3852, 150 °C Integrated Cooler									P
G½" Male DIN3852, 150 °C Integrated Cooler									Q
O Ring Material:									
Viton									V
Options:									
NBR									N
EPD									E
Chemraz									C
									(only avail on option 1 & 2 pressure range)
Options:									
Cable Length in Metres									
<p>EXAMPLE: PTX130G4-5B2-BAV (0 to 60) mBar [Customer to specify Pressure Range at end of code as shown] Pressure Transmitter, Gauge, Pressure Range, (4 to 20) mA Output, Accuracy (combined NL&H) ≤±0.01% /FS, Accuracy (Thermal Zero Shift) ≤±0.02% /FS/°C, Large Plug & Socket, G¼" Male DIN3852, O Ring Viton</p>									