

Overview



The electromagnetic sensor SITRANS F M MAG 1100 F is designed to meet applications in the food and beverage industry.

Benefits

- Sensor sizes: DN 10 to DN 100 (3/8" to 4")
- AISI 316 stainless steel enclosure
- Sensor: Hygienic connection, 3A approval and EHEDG certified
- Sanitary design for CIP / SIP cleaning
- Conforms to FDA
- Easy commissioning, the SENSORPROM unit automatically updates settings
- Hose proof IP67/NEMA 4X enclosure rating
- Designed that patented in-situ verification can be conducted. Using SENSORPROM fingerprints

Application

The main applications of the SITRANS F M electromagnetic sensors can be found in the following fields:

- Food industry
- Beverage industry
- Pharmaceutical industry

Design

- Unique mechanical design with a wide range of customer specified sanitary connection
- Compact or remote mounting possible easy "plug & play" field changeable
- Simple on site upgrade to IP68/NEMA 6P terminal box
- Ex ATEX 2G D version for hazardous areas (ceramic liner)

Mode of operation

The flow measuring principle is based on Faraday's law of electromagnetic induction according to which the sensor converts the flow into an electrical voltage proportional to the velocity of the flow.

Integration

The complete flowmeter consists of a sensor and an associated transmitter SITRANS F M MAG 5000, 6000 and 6000 I. The flexible communication concept USM II simplifies integration and update to a variety of fieldbus systems such as PROFIBUS DP and PA, Modbus RTU/RS485, HART, FOUNDATION Fieldbus H1, DeviceNet.

Technical specifications

Measuring principle	Electromagnetic induction
Excitation frequency (Mains supply: 50 Hz/60 Hz)	DN 10 ... 65 (1/4" ... 2 1/2"): 12.5 Hz/15 Hz DN 80 ... 100 (3", 4"): 6.25 Hz/7.5 Hz
Process connection	
Nominal size	DN 10 ... DN 100 (3/8" ... 4")
Process connection	Hygienic adapters available for: <ul style="list-style-type: none"> • Direct welding onto pipe • Clamp fitting • Threaded fitting
Rated operating conditions	
<u>Ambient conditions</u>	
Ambient temperature ¹⁾	
• Sensor	-40 ... +100 °C (-40 ... +212 °F)
• Ex sensor	-20 ... +60 °C (-4 ... +140 °F)
• Compact transmitter MAG 5000/6000	-20 ... +60 °C (-4 ... +140 °F)
• With compact transmitter MAG 5000 CT/MAG 6000 CT	-20 ... +50 °C (-4 ... +122 °F)
• Transmitter MAG 6000 I	-20 ... +60 °C (-4 ... +140 °F)
• Compact transmitter MAG 6000 I Ex de	-10 ... +60 °C (14 ... 140 °F)
<u>Temperature of medium</u>	
MAG 1100 F (Ceramic)	-20 ... +150 °C (-4 ... +302 °F) Suitable for steam sterilization
MAG 1100 F (PFA)	-30 ... +130 °C (-22 ... +266 °F) Suitable for steam sterilization at 150 °C (302 °F)
<u>Temperature shock</u>	
MAG 1100 F	
• Duration ≤ 1 min, followed by 10 min rest	<ul style="list-style-type: none"> • DN 10, 15, 25: Max. ΔT ≤ 80 °C/min (3/8", 1/2", 1"): Max. ΔT ≤ 144 °F/min) • DN 40, 50, 65: Max. ΔT ≤ 70 °C/min (1 1/2", 2", 2 1/2"): Max. ΔT ≤ 126 °F/min) • DN 80, 100: Max. ΔT ≤ 60 °C/min (3", 4"): Max. ΔT ≤ 108 °F/min)
MAG 1100 F (PFA)	Max. ± 100 °C (212 °F) momentarily
<u>Operating pressure</u>	
MAG 1100 F (Ceramic)	DN 10 ... 65: 40 bar (3/8" ... 2 1/2"): 580 psi) DN 80: 25 bar (3": 363 psi) DN 100: 25 bar (4": 363 psi) Vacuum: 1 x 10 ⁻⁶ bar _{abs} (1.5 x 10 ⁻⁵ psi _{abs})
MAG 1100 F (PFA)	20 bar (290 psi) Vacuum: 0.02 bar _{abs} (0.3 psi _{abs}) DN 80 ... DN 100: CO ₂ pressure max. 7 bar (101.5 psi)

¹⁾ Conditions are also dependent on liner characteristics.

Flow Measurement

SITRANS F M

Flow sensor MAG 1100 F

<u>Mechanical load (vibration)</u>	18 ... 1000 Hz random in x, y, z, directions for 2 hours according to EN 60068-2-36 Sensor: 3.17 grms Sensor with compact MAG 5000/6000 mounted transmitter: 3.17 grms Sensor with compact MAG 6000 I/MAG 6000 I Ex mounted transmitter: 1.14 grms For compact installation with the MAG 6000 I/MAG 6000 I Ex, transmitter to be supported to avoid tension on sensor part.
<u>Enclosure rating</u>	IP67 to EN 60529 (NEMA 4X), 1 mH ₂ O for 30 min
EMC	2004/108/EC
Design	See Dimensional drawings
Weight	
<u>Material</u>	
Enclosure	
• MAG 1100 F	Stainless steel AISI 316L (1.4404)
Terminal box (remote version only)	
• Standard	Fibre glass reinforced polyamide
• Option	Stainless steel AISI 316 (1.4436)
• Ex ATEX (remote version only)	Stainless steel AISI 316 (1.4436)
Liner	
MAG 1100 F (Ceramic)	Aluminum oxide Al ₂ O ₃ (ceramics)
MAG 1100 F (PFA)	Reinforced PFA (teflon) (not for Ex)
Electrodes	
MAG 1100 F (Ceramic)	Platinum with gold / Titanium brazing alloy
MAG 1100 F (PFA)	<ul style="list-style-type: none"> • DN 10 ... 15 (3/8" ... 1/2"): Hastelloy C276 • DN 25 ... 100 (1" ... 4"): Hastelloy C22
Cable entries	<ul style="list-style-type: none"> • Remote installation 2 x M20 or 2 x 1/2" NPT • Compact installation <ul style="list-style-type: none"> - MAG 5000/MAG 6000: 4 x M20 or 4 x 1/2" NPT - MAG 6000 I: 2 x M25 (for supply/output) - MAG 6000 I Ex de: 2 x M25 (for supply/output)
Certificates and approvals	
Calibration	
• Standard Production calibration, calibration report shipped with sensor	Zero-point, 2 x 25 %, 2 x 90 %
MAG 1100 F (Ceramic)	3A (sensor with Polyamide terminal box and FKM/FPM), transmitter not part of the approval
• Ex ATEX approvals for sensor or compact with MAG 6000 I Ex	ATEX 2G D sensor EEx d e ia IIB T3 - T6
• Sensor with/without MAG 5000/6000/6000 I	FM Class I, Div 2
MAG 1100 F (PFA)	3A (sensor with Polyamide terminal box with EPDM gasket), transmitter not part of the approval EHEDG certified (use EPDM P-seal) (DN 25 ... 100 (1 ... 4")) FM Class I, Div 2

Conforms to	PED – 97/23/EC and CRN (PFA) FDA
Custody transfer approvals (MAG 5000/6000 CT)	<ul style="list-style-type: none"> • Cold water pattern approval PTB (Germany) • Hot water pattern approval PTB (Germany) • Other media than water pattern approval- OIML R 117 (Ceramic liner)(Denmark)

Accessories

Weld-in adapter	
Adapter for welding onto dairy pipe	Tri-Clover, ISO 2037, DIN 11850, SMS 3008, BS 4825-1
• DN 10, 15, 25, 40, 50 and 65 (3/8", 1/2", 1", 1 1/2", 2" and 2 1/2")	PN 40 (600 psi)
• DN 80 and DN 100 (3" and 4")	PN 25 (350 psi)
Clamp adapter	Tri-Clamp, ISO 2852, DIN 32676, SMS 3016, BS 4825-3
DN 10, 15, 25, 40 and 50 (3/8", 1/2", 1", 1 1/2", and 2")	PN 16 (200 psi)
DN 65, 80 and 100 (2 1/2", 3" and 4")	PN 10 (150 psi)
Thread adapter	
DIN 11851	
• DN 10, 15, 25, and 40 (3/8", 1/2", 1", and 1 1/2")	PN 40 (600 psi)
• DN 50, 65, 80 and 100 (2", 2 1/2", 3" and 4")	PN 25 (350 psi)
ISO 2853, BS 4825-4	
• DN 10, 15, 25, 40, 50, 65 and 80 (3/8", 1/2", 1", 1 1/2", 2", 2 1/2" and 3")	PN 16 (200 psi)
SMS 1145	
• DN 25, 40, 50, 65 and 80 (1", 1 1/2", 2", 2 1/2" and 3")	PN 6 (80 psi)
Design	
<u>Material</u>	
Adapter	Stainless steel AISI 316/Stainless steel AISI 304 (ISO 2852)
Gasket	
• MAG 1100 F (Ceramic)	FKM/FPM with stainless steel insert (AISI 304) (-20 ... +150 °C (-4 ... +302 °F))
	EPDM (-20 ... +150 °C (-4 ... +302 °F))
• MAG 1100 F (PFA)	EPDM (-20 ... +150 °C (-4 ... +302 °F))
	NBR (-20 ... +100 °C (-4 ... +212 °F))

Note:

When combined sensor and adapter, the operating pressure is the lower rated of the pair.

Flow Measurement

SITRANS F M

Flow sensor MAG 1100 F

Selection and Ordering data	Order No.
Sensor SITRANS F M MAG 1100 F	7ME6140-
	■ ■ ■ ■ ■ - ■ ■ ■ ■ ■
Diameter	
DN 10 (3/8")	◆ 1 R
DN 15 (1/2")	◆ 1 V
DN 25 (1")	◆ 2 D
DN 40 (1 1/2")	◆ 2 R
DN 50 (2")	◆ 2 Y
DN 65 (2 1/2")	◆ 3 F
DN 80 (3")	◆ 3 M
DN 100 (4")	◆ 3 T
Process connections	
No adaptors (specials see accessories)	◆ A
<u>Weld in</u>	
DIN 11850	◆ B
ISO 2037 (SMS 3008)	◆ C
BS 4825-1	D
Tri-Clover	E
<u>Clamp type</u>	
DIN 32676	G
ISO 2852 (SMS 3016)	H
BS 4825-3	J
Tri-Clamp	K
<u>Threaded type</u>	
DIN 11851	M
SMS 1145	N
Liner material	
PFA (not for Ex)	◆ 1
Ceramic	◆ 2
Gasket material	
EPDM flat gasket (FDA)	◆ 0
FPM/FKM (FDA) (only with ceramic liner)	◆ 2
EPDM-P gasket (only for PFA) FDA, EHEDG certified, 3A pending	◆ 3
Electrode material	
Hastelloy C (only with PFA liner)	◆ 1
Platinum (only with ceramic liner)	◆ 2
Transmitter	
Standard sensor for remote transmitter (order transmitter separately) 3A	◆ A
Ex sensor for remote transmitter (order transmitter separately) 3A	B
MAG 6000 I, Alu.18 ... 90 V DC, 115 ... 230 V AC	C
MAG 6000 I, Aluminum 18 ... 30 V DC, Ex	D
MAG 6000 I, Aluminum 115 ... 230 V AC, Ex	E
MAG 6000, Polyamide, 11 ... 30 V DC/11 ... 24 V AC	◆ H
MAG 6000, Polyamide, 115 ... 230 V AC	◆ J
MAG 5000, Polyamide, 11 ... 30 V DC/11 ... 24 V AC	◆ K
MAG 5000, Polyamide, 115 ... 230 V AC	◆ L
Communication	
No communication, add-on possible	◆ A
HART	◆ B
PROFIBUS PA Profile 3 (only MAG 6000/MAG 6000 I)	◆ F
PROFIBUS DP Profile 3 (not for Ex) (only MAG 6000/MAG 6000 I)	◆ G
Modbus RTU/RS 485 (not for Ex) (only MAG 6000/MAG 6000 I)	◆ E
FOUNDATION Fieldbus H1 (only MAG 6000/MAG 6000 I)	◆ J

Selection and Ordering data	Order No.
Sensor SITRANS F M MAG 1100 F	7ME6140-
	■ ■ ■ ■ ■ - ■ ■ ■ ■ ■
Cable glands/terminal box	
Metric: Polyamide terminal box or 6000 I compact	◆ 1
1/2" NPT: Polyamide terminal box or 6000 I compact	◆ 2
Metric: SS terminal box (mandatory for Stainless steel MAG 6000 Transmitter)	3
1/2" NPT: SS terminal box (mandatory for Stainless steel MAG 6000 Transmitter)	4
◆ Short lead time (details in PMD)	

Selection and Ordering data	Order code
Additional information	
Please add "-Z" to Order No. and specify Order code(s) and plain text.	
Customer-specific converter setup	Y20
Tag name plate, stainless steel fixed with SS wire (add plain text)	Y17
Tag name plate, plastic (self adhesive)	Y18
Factory certificate according to EN 10204-2.1	C15
Factory certificate according to EN 10204-2.2	C14
Sensor cables wired (specify cable order no.)	Y40
Sensor for remote transmitter's junction box potted to IP68 with wired cable (specify cable order no.) (not for Ex sensors)	Y41
Other postproduction requirements (add desired text)	Y99
Additional calibrations	
• Matched pair - (Standard production calibration where sensor and transmitter is calibrated together)	On request¹⁾
• Customer-specified calibration up to 10 points	On request¹⁾
• Customer-witnessed calibration Any of above calibration	On request¹⁾
¹⁾ Ordering On request as dedicated information from the customer on the individual sensors is required. Please fill in the calibration form found on pi.khe.siemens.de/index.aspx?Nr=17460 and send together with the order. (Size dependent restriction on maximum flow rates may apply)	

Flow Measurement

SITRANS F M

Flow sensor MAG 1100 F

Operating instructions for SITRANS F M MAG 1100F

Description	Order No.
Handbook for SITRANS F M MAG 1100 F	
• English	A5E02435647

This device is shipped with a Quick Start guide and a CD containing further SITRANS F literature.

All literature is also available for free at:

<http://www.siemens.com/flowdocumentation>

MAG 5000/6000 transmitters and sensors are packed in separate boxes, the final assembly takes place during installation at the customer's place. MAG 6000 I/MAG 6000 I Ex ATEX 2G D transmitters and sensors are delivered compact mounted from factory. Communication module will be pre-mounted in the transmitter.

Please use online Product selector to get latest updates.

Product selector link:

www.pia-selector.automation.siemens.com

Please also see www.siemens.com/SITRANSForordering for practical examples of ordering

Description	Order No.
Potting kit for terminal box of SITRANS F M sensors for IP68/NEMA 6P (not for Ex)	◆ FDK-085U0220



◆ Short lead time (details in PMD)

Accessories

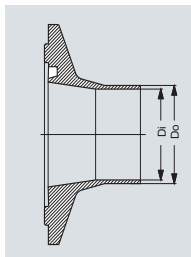
Order No.

Weld in connection fittings for MAG 1100 F with P gaskets

Only for sensors with PFA liner.

2 pcs. fittings
2 pcs. clamps (to join flow sensor and fitting)**DIN 11850**

Adapter			Sensor
DN (mm)	D _o (mm)	D _i (mm)	DN (mm)



10	13	10	10	◆ A5E02054630
15	19	16	15	◆ A5E02054633
20	23	20	15	A5E02054634
25	29	26	25	◆ A5E02054635
32	35	32	25	A5E02054637
40	41	38	40	◆ A5E02054638
50	53	50	50	◆ A5E02054640
65	70	66	65	◆ A5E02054643
80	85	81	80	◆ A5E02054644
100	104	100	100	◆ A5E02054646

ISO 2037 (SMS3008)

Adapter			Sensor
DN (mm)	D _o (mm)	D _i (mm)	DN (mm)

10	13	10	10	◆ A5E02054630
15	19	16	15	◆ A5E02054633
25	25.6	22.6	25	◆ A5E02196073
28	28.6	25.6	25	A5E02196074
38	38.6	35.6	40	◆ A5E02196075
40	40.6	37.6	40	◆ A5E02196076
51	51.6	48.6	50	◆ A5E02196077
63.5	64.1	60.3	65	◆ A5E02196078
76.1	76.7	72.9	80	◆ A5E02196080
101.6	102.5	97.6	100	A5E02196082

Tri-Clover (BS 4825-1)

Adapter			Sensor
DN (mm)	D _o (mm)	D _i (mm)	DN (mm)

10	12.7	9.4	10	A5E02199113
15.9	19.05	15.75	15	A5E02199114
25	25.4	22.1	25	A5E02199115
38	38.1	34.8	40	A5E02199116
51	50.8	47.5	50	A5E02199117
63.5 ¹⁾	63.5	60.2	65	A5E02199118
76.1	76.2	72.9	80	A5E02199119
102 ¹⁾	101.6	97.38	100	A5E02199120

◆ Short lead time (details in PMD)

D_o: outer diameterD_i: inner diameter¹⁾ For BS 4825-1 see ISO 2037

Accessories

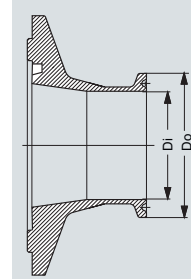
Order No.

Clamp-type connection fittings for MAG 1100 F with P gaskets

Only for sensors with PFA liner.

2 pcs. fittings
2 pcs. clamps (to join flow sensor and fitting)**DIN 32676**

Adapter			Sensor
DN (mm)	D _o (mm)	D _i (mm)	DN (mm)



10	34	10	10	A5E02211143
15	34	16	15	A5E02211144
25	50.5	26	25	A5E02211146
40	50.5	38	40	A5E02211147
50	64	50	50	A5E02211148
65	91	66	65	A5E02211151
80	106	81	80	A5E02211152
100	119	100	100	A5E02211153

ISO 2852 (SMS 3016, BS 4825-3)

Adapter			Sensor
DN (mm)	D _o (mm)	D _i (mm)	DN (mm)

10	34	10	10	A5E02211143
15	34	16	15	A5E02211144
25	50.5	26	25	A5E02213581
33.7	50.5	31.3	25	A5E02213582
38	50.5	35.6	40	A5E02213583
51	64	48.6	50	A5E02213584
63.5	77.5	60.3	65	A5E02213585
76.1	91	72.9	80	A5E02213586
101.6	119	97.6	100	A5E02213587

Tri-Clamp

Adapter			Sensor
DN (mm)	D _o (mm)	D _i (mm)	DN (mm)

10	25	10	10	A5E02213596
15	25	16	15	A5E02213597
25	50.5	22.6	25	A5E02213598
38	50.5	35.6	40	A5E02213599
51	64	48.6	50	◆ A5E02213600
63.5	77.5	60.3	65	A5E02213601
76.1	91	72.9	80	◆ A5E02213602
101.6	119	97.6	100	A5E02213603

◆ Short lead time (details in PMD)

D_o: outer diameterD_i: inner diameter

Flow Measurement

SITRANS F M

Flow sensor MAG 1100 F

Accessories

Order No.

Threaded type connection fittings for MAG 1100 F with P gaskets

Only for sensors with PFA liner.

2 pcs. fittings

2 pcs. clamps (to join flow sensor and fitting)

DIN 11851

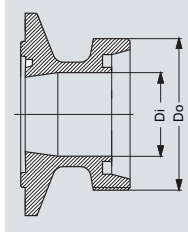
Adapter

DN (mm)

D_o (mm)D_i (mm)

Sensor

DN (mm)



Adapter DN (mm)	D _o (mm)	D _i (mm)	Sensor DN (mm)
10	28	10	10
15	34	16	15
20	44	20	15
25	52	26	25
32	58	32	25
40	65	38	40
50	78	50	50
65	95	66	65
80	110	81	80
100	130	100	100

A5E02218293

A5E02218294

A5E02218295

◆ A5E02218296

A5E02218297

◆ A5E02218298

◆ A5E02218299

A5E02218300

A5E02218301

A5E02218302

Accessories

Order No.

Threaded type connection fittings for MAG 1100 F with P gaskets

Only for sensors with PFA liner.

2 pcs. fittings

2 pcs. clamps (to join flow sensor and fitting)

SMS 1145

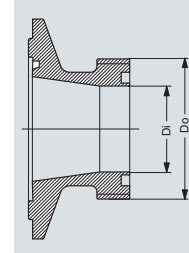
Adapter

DN (mm)

D_o (mm)D_i (mm)

Sensor

DN (mm)



Adapter DN (mm)	D _o (mm)	D _i (mm)	Sensor DN (mm)
25	40	22.6	25
38	60	35.6	40
51	70	48.6	50
63.5	85	60.3	65
76	98	72	65

A5E02218310

A5E02218312

A5E02218313

A5E02218314

A5E02218315

◆ Short lead time (details in PMD)

D_o: outer diameterD_i: inner diameter

4

Accessories

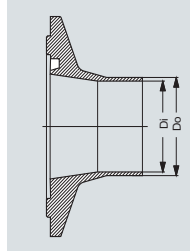
Order No.

Weld in connection fittings for MAG 1100 F with flat gaskets

For sensors with ceramic and PFA liner.

2 pcs. fittings
2 pcs. clamps (to join flow sensor and fitting)**DIN 11850**

Adapter		Sensor	
DN (mm)	D _o (mm)	D _i (mm)	DN (mm)



10	13	10	10	◆ FDK-083G2116
15	19	16	15	◆ FDK-083G2117
20	23	20	15	◆ FDK-083G2118
25	29	26	25	◆ FDK-083G2119
32	35	32	25	◆ FDK-083G2120
40	41	38	40	◆ FDK-083G2121
50	53	50	50	◆ FDK-083G2122
65	70	66	65	◆ FDK-083G2123
80	85	81	80	◆ FDK-083G2124
100	104	100	100	◆ FDK-083G2125

ISO 2037 (SMS3008)

Adapter		Sensor	
DN (mm)	D _o (mm)	D _i (mm)	DN (mm)

10	13	10	10	◆ FDK-083G2116
15	19	16	15	◆ FDK-083G2117
25	25.6	22.6	25	◆ FDK-083G2109
28	28.6	25.6	25	◆ FDK-083G2100
38	38.6	35.6	40	◆ FDK-083G2111
40	40.6	37.6	40	◆ FDK-083G2101
51	51.6	48.6	50	◆ FDK-083G2112
63.5	64.1	60.3	65	◆ FDK-083G2113
76.1	76.7	72.9	80	◆ FDK-083G2114
101.6	102.5	97.6	100	◆ FDK-083G2115
114.3	115.6	110.3	100	◆ FDK-083G2105

Tri-Clover (BS 4825-1)

Adapter		Sensor	
DN (mm)	D _o (mm)	D _i (mm)	DN (mm)

10	12.7	9.4	10	◆ FDK-083G2276
15.9	19.05	15.75	15	◆ FDK-083G2277
25	25.4	22.1	25	◆ FDK-083G2279
38	38.1	34.8	40	◆ FDK-083G2281
51	50.8	47.5	50	◆ FDK-083G2282
63.5 ¹⁾	63.5	60.2	65	◆ FDK-083G2283
76.1	76.2	72.9	80	◆ FDK-083G2284
102 ¹⁾	101.6	97.38	100	◆ FDK-083G2285

◆ Short lead time (details in PMD)

D_o: outer diameterD_i: inner diameter¹⁾ For BS 4825-1 see ISO 2037

Accessories

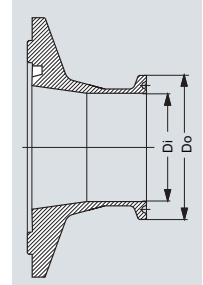
Order No.

Clamp-type connection fittings for MAG 1100 F with flat gaskets

For sensors with ceramic and PFA liner.

2 pcs. fittings
2 pcs. clamps (to join flow sensor and fitting)**DIN 32676**

Adapter		Sensor	
DN (mm)	D _o (mm)	D _i (mm)	DN (mm)



10	34	10	10	◆ FDK-083G2186
15	34	16	15	◆ FDK-083G2187
25	50.5	26	25	◆ FDK-083G2179
40	50.5	38	40	◆ FDK-083G2181
50	64	50	50	◆ FDK-083G2182
65	91	66	65	◆ FDK-083G2183
80	106	81	80	◆ FDK-083G2184
100	119	100	100	◆ FDK-083G2185

ISO 2852 (SMS 3016, BS 4825-3)

Adapter		Sensor	
DN (mm)	D _o (mm)	D _i (mm)	DN (mm)

10	34	10	10	◆ FDK-083G2186
15	34	16	15	◆ FDK-083G2187
25	50.5	26	25	◆ FDK-083G2179
33.7	50.5	31.3	25	◆ FDK-083G2190
38	50.5	35.6	40	◆ FDK-083G2191
51	64	48.6	50	◆ FDK-083G2192
63.5	77.5	60.3	65	◆ FDK-083G2193
76.1	91	72.9	80	◆ FDK-083G2194
101.6	119	97.6	100	◆ FDK-083G2195

Tri-Clamp

Adapter		Sensor	
DN (mm)	D _o (mm)	D _i (mm)	DN (mm)

10	25	10	10	◆ FDK-083G2286
15	25	16	15	◆ FDK-083G2287
25	50.5	22.6	25	◆ FDK-083G2289
38	50.5	35.6	40	◆ FDK-083G2291
51	64	48.6	50	◆ FDK-083G2292
63.5	77.5	60.3	65	◆ FDK-083G2293
76.1	91	72.9	80	◆ FDK-083G2294
101.6	119	97.6	100	◆ FDK-083G2295

◆ Short lead time (details in PMD)

D_o: outer diameterD_i: inner diameter

Flow Measurement

SITRANS F M

Flow sensor MAG 1100 F

Accessories

Order No.

Threaded type connection fittings for MAG 1100 F with flat gaskets

For sensors with ceramic and PFA liner.

2 pcs. fittings

2 pcs. clamps (to join flow sensor and fitting)

DIN 11851

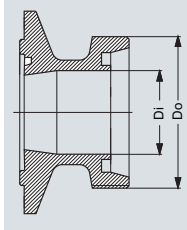
Adapter

DN (mm)

 D_o (mm) D_i (mm)

Sensor

DN (mm)



10	28	10	10
15	34	16	15
20	44	20	15
25	52	26	25
32	58	32	25
40	65	38	40
50	78	50	50
65	95	66	65
80	110	81	80
100	130	100	100

FDK-083G2156

FDK-083G2157

FDK-083G2158

◆ FDK-083G2159

FDK-083G2160

◆ FDK-083G2161

FDK-083G2162

FDK-083G2163

FDK-083G2164

FDK-083G2165

ISO 2853

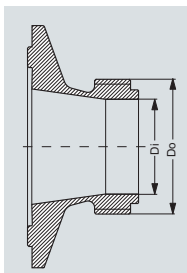
Adapter

DN (mm)

 D_o (mm) D_i (mm)

Sensor

DN (mm)



25	37	22.6	25
38	51	35.6	40
51	64	48.6	50
63.5	78	60.3	65
76.1	91	72.9	80
101.6	118	97.6	100

FDK-083G2149

FDK-083G2151

FDK-083G2152

FDK-083G2153

FDK-083G2154

FDK-083G2155

BS 4825-4

Adapter

DN (mm)

 D_o (mm) D_i (mm)

Sensor

DN (mm)

25	37	22.6	25
38	51	35.6	40
51	64	48.6	50
63.5	78	60.3	65
76.1	91	72.9	80
101.6	126	97.6	100

FDK-083G2149

FDK-083G2151

FDK-083G2152

FDK-083G2153

FDK-083G2154

FDK-083G2145

Accessories

Order No.

Threaded type connection fittings for MAG 1100 F with flat gaskets

For sensors with ceramic and PFA liner.

2 pcs. fittings

2 pcs. clamps (to join flow sensor and fitting)

SMS 1145

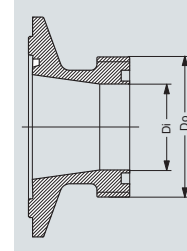
Adapter

DN (mm)

 D_o (mm) D_i (mm)

Sensor

DN (mm)



25	40	22.6	25
38	60	35.6	40
51	70	48.6	50
63.5	85	60.3	65
76	98	72	65

FDK-083G2139

FDK-083G2141

FDK-083G2142

FDK-083G2143

FDK-083G2144

◆ Short lead time (details in PMD)

 D_o : outer diameter D_i : inner diameter

Spare parts for MAG 1100 F	Order No.
Gaskets	
(2 pcs., between flow sensor and adapter)	
<u>MAG 1100 F (PFA) - P gaskets</u>	
Rubber: EPDM (FDA)	
• DN 10	◆ A5E02055286
• DN 15	◆ A5E02055287
• DN 25	◆ A5E02055290
• DN 40	◆ A5E02055291
• DN 50	◆ A5E02055292
• DN 65	◆ A5E02055293
• DN 80	◆ A5E02055295
• DN 100	◆ A5E02055297
<u>MAG 1100 F (ceramic) - flat gaskets</u>	
Rubber: FKM/FPM (FDA)	
• DN 10	◆ A5E00915707
• DN 15	◆ A5E00915764
• DN 25	◆ A5E00915771
• DN 40	◆ A5E00915773
• DN 50	◆ A5E00915775
• DN 65	◆ A5E00915780
• DN 80	◆ A5E00915782
• DN 100	◆ A5E00915784 ^{F)}
<u>MAG 1100 F (PFA) - flat gaskets</u>	
Rubber: EPDM (FDA)	
• DN 10	◆ FDK-083G2206
• DN 15	◆ FDK-083G2207
• DN 25	◆ FDK-083G2209
• DN 40	◆ FDK-083G2211
• DN 50	◆ FDK-083G2212
• DN 65	◆ FDK-083G2213
• DN 80	◆ FDK-083G2214
• DN 100	◆ FDK-083G2215
Rubber: NBR	
• DN 10	FDK-083G2216
• DN 15	FDK-083G2217
• DN 25	FDK-083G2219
• DN 40	FDK-083G2221
• DN 50	FDK-083G2222
• DN 65	FDK-083G2223
• DN 80	FDK-083G2224
• DN 100	FDK-083G2225

◆ Short lead time (details in PMD)

F) Subject to export regulations AL: 91999, ECCN: N.

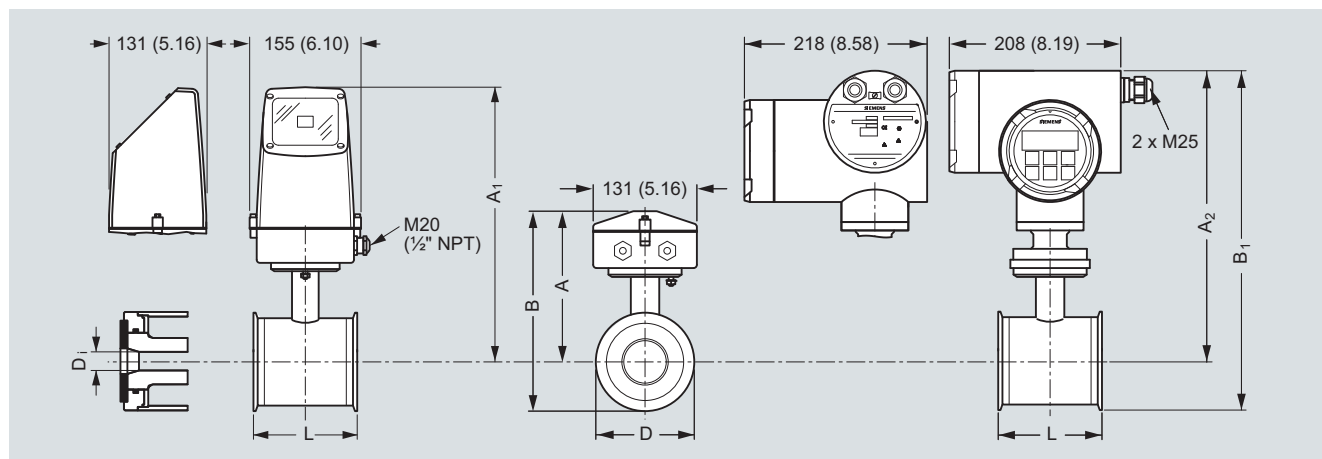
Flow Measurement

SITRANS F M

Flow sensor MAG 1100 F

Dimensional drawings

Sensor MAG 1100 F compact/remote



Dimensions in mm (inch)

Important note:

For compact installation with MAG 6000 I/Ex - transmitter to be supported to avoid tension on the sensor part.

Size	L	A	A ₁ ³⁾	B ²⁾	B ₁	D	D ₁ (Al ₂ O ₃)	D ₁ PFA	Weight ¹⁾
DN	[mm]	[mm]	[mm]	[mm]	[mm]	[mm]	[mm]	[mm]	[kg]
10	64	161	315	193.7	344.7	64.0	10	10	2.2
15	64	161	315	193.7	344.7	64.0	15	16	2.2
25	79	169	323	207.5	359.0	77.5	25	26	2.7
40	94	179	333	228.0	379.0	91.0	40	38	3.4
50	104	188	342	247.7	398.7	119.0	50	50	4.2
65	131	197.5	351	262.6	413.6	130.0	65	66	5.5
80	156	204	357	281.0	432.0	155.0	80	81	7.0
100	186	217	370	308.0	459.0	183.0	100	100	10.0

Size	L	A	A ₁ ³⁾	B ²⁾	B ₁	D	D ₁ (Al ₂ O ₃)	D ₁ PFA	Weight ¹⁾
[inch]	[inch]	[inch]	[inch]	[inch]	[inch]	[inch]	[inch]	[inch]	[lb]
3/8	2.52	6.34	12.40	7.62	13.57	2.52	0.39	0.39	4.8
1/2	2.52	6.34	12.40	7.62	13.57	2.52	0.59	0.63	4.8
1	3.11	6.66	12.72	8.17	14.13	3.05	0.98	1.02	4.9
1 1/2	3.70	7.05	13.11	8.98	14.92	3.58	1.57	1.50	7.5
2	4.09	7.40	13.47	9.75	15.70	4.68	1.97	1.97	9.2
2 1/2	5.16	7.78	13.82	10.34	16.28	5.12	2.56	2.60	12.0
3	6.14	8.03	14.06	11.06	17.01	6.10	3.15	3.19	15.0
4	7.32	8.54	14.57	12.13	18.07	7.20	3.94	3.94	22.0

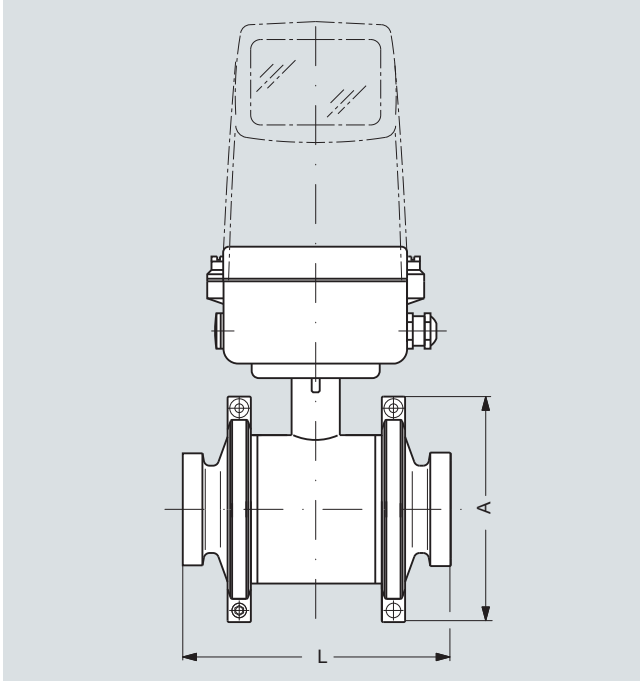
¹⁾ With transmitter MAG 5000 or MAG 6000 compact, weight is increased by approximately 0.8 kg (1.8 lb)

With MAG 6000 I weight is increased with 5.5 kg (12.1 lbs)

²⁾ 14.5 mm (0.571") shorter when the AISI terminal box is used (always Ex version)

³⁾ A₂ is 3 mm (0.12") shorter than A₁

Sensor MAG 1100 F compact/separate – build-in length



Size		A		L ¹⁾	
DN	Inch	[mm]	[inch]	[mm]	[inch]
10	3/8	99	3.90	146	5.75
15	1/2	99	3.90	146	5.75
25	1	113	4.45	161	6.34
40	1 1/2	126	4.96	176	6.93
50	2	154	6.06	186	7.32
65	2 1/2	165	6.50	223	8.78
80	3	200	7.87	258	10.16
100	4	225	8.86	288	11.34

¹⁾ The total build-in length "L" is independent of the adapter type selected.