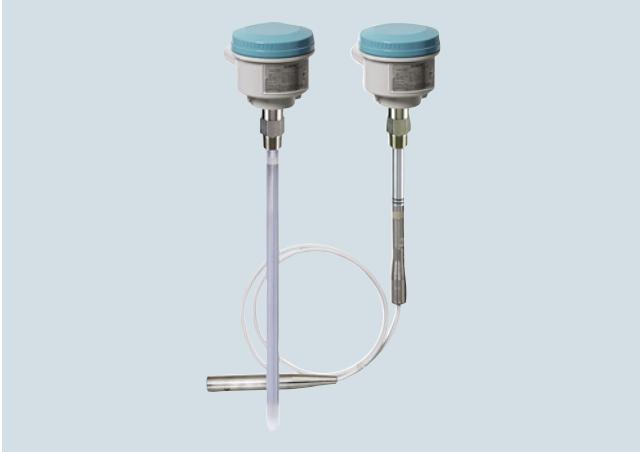


## Overview



SITRANS LC300 is an inverse frequency shift capacitance continuous level transmitter for liquid, interface, and solid applications. It is ideal for standard industrial applications in chemical, hydrocarbon processing, food and beverage, water, wastewater, and mining, aggregate, and cement industries.

## Benefits

- Active-Shield technology so measurement is unaffected by material buildup in active shield section
- Highly accurate and reliable PFA-lined probes
- Integrated local LCD display
- 2-wire (4 to 20 mA) current loop design
- Current signaling according to NAMUR NE 43
- Push-button calibration and programming
- Stilling well (ground tube) version for low dielectric media, agitated materials, and non-metallic vessels

## Application

SITRANS LC300 is a 2-wire level measurement instrument combining a sophisticated, yet easy-to-adjust microprocessor with field-proven probes. It is available in four versions: rod, rod with stilling well, cable with PFA insulation, and cable without PFA insulation.

Materials with low or high dielectric properties are accurately measured and Active-Shield technology helps in ignoring the effects of buildup or condensation near vessel nozzle.

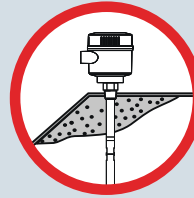
- Key Applications: conductive ( $dK \geq 20$ ) and non-conductive ( $dK < 20$ ) media including: liquids and solids in standard industrial processes, bulk solids applications involving dust, and chemical processes involving vapor

### Probe Applications

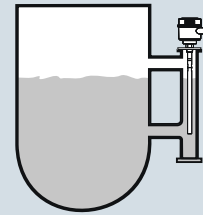
Rod version	Conductive liquids, slurries or solids
Rod version with stilling well	<ul style="list-style-type: none"> <li>• Conductive liquids or slurries in non-conductive tanks</li> <li>• Non-conductive liquids in non-conductive tanks</li> <li>• Tanks with agitation or turbulent liquids</li> <li>• Liquids with a dielectric constant below 2</li> <li>• Non-linear tanks, such as parabolic or spherical tanks</li> <li>• Interface measurements</li> </ul>
Cable version	Non-conductive solids or liquids
PFA coated cable version	Conductive or sticky liquids, slurries or solids

## Configuration

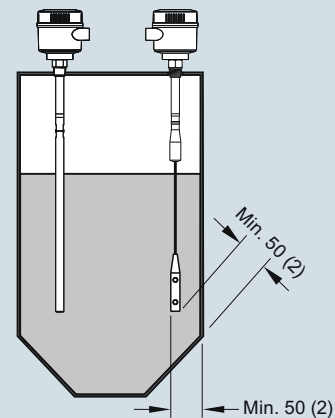
### Installation



Build up of material in active shield area does not affect switch operation.



Mounting on a bypass



Install probe at least 50 (2) from tank wall.  
Note angle of repose and adjust accordingly.

SITRANS LC300 installation, dimensions in mm (inch)

## Level Measurement

### Continuous level measurement - Capacitance transmitters

#### SITRANS LC300



#### Technical specifications

<b>Input</b>	
Measuring range	1.66 ... 3 300 pF
Span	Min. 3.3 pF
<b>Output</b>	
Loop current	Continuous signal 4 ... 20 mA/ 20 ... 4 mA according to NAMUR 43
<b>Accuracy (transmitter)</b>	
Temperature stability	0.25 % of actual capacitance value
Non-linearity and repeatability	< 0.4 % of full scale and actual measurement value
Accuracy	Deviation < 0.5 % of actual measurement value
<b>Rated operating conditions<sup>1)</sup></b>	
Ambient conditions	
• Ambient temperature	-40 ... +85 °C (-40 ... +185 °F) <sup>2)3)</sup>
• Installation category	I
• Pollution degree	4
• Ingress protection	Type 4/NEMA 4/IP65 (optional IP68)
Installation conditions	
• Location	Indoor/outdoor
Process pressure	-1 ... +35 bar g (-14.6 ... +511 psi g)
Process temperature	-40 ... +200 °C (-40 ... +392 °F) <sup>4)</sup>
Min. dielectric constant $\epsilon_r$	1.5
Min. difference in dielectric constant for interface measurement	5
<b>Design</b>	
Material	
• Enclosure	Aluminum, epoxy-coated
Probe diameter	
• Rod version	19 mm (0.75 inch) with PFA jacket
• Cable version	9 mm (0.35 inch) with PFA jacket, 6 mm (0.24 inch) without PFA jacket
Active shield length	
• Rod version	Threaded: 120 mm (4.72 inch) Flanged: 100 mm (3.94 inch)
• Cable version	Threaded: 125 mm (4.92 inch) Flanged: 105 mm (4.13 inch)
Process connection of probe	
• Threaded rod mounting	$\frac{3}{4}$ ", 1", 1 $\frac{1}{4}$ ", 1 $\frac{1}{2}$ " NPT [(Taper), ANSI/ASME B1.20.1] R $\frac{3}{4}$ ", 1", 1 $\frac{1}{2}$ " [(BSPT), EN 10226/PT (JIS-T), JIS B 0203] G $\frac{3}{4}$ ", 1", 1 $\frac{1}{2}$ " [(BSPP), EN ISO 228-1/PF (JIS-P), JIS B 0202]
• Threaded cable mounting	1 $\frac{1}{2}$ " NPT [(Taper), ANSI/ASME B1.20.1] R 1 $\frac{1}{2}$ " [(BSPT), EN 10226/PT (JIS-T), JIS B 0203] G 1 $\frac{1}{2}$ " [(BSPP), EN ISO 228-1/PF (JIS-P), JIS B 0202]
• Flange mounting	1 ... 4" ASME, DN 25 ... 100
Enclosure cable inlet	2 x $\frac{1}{2}$ " NPT or 2 x M20 x 1.5

<b>Power supply</b>	12 ... 30 V DC any polarity, 2-wire current loop circuit
<b>User Interface</b>	
Display	Local LCD, 4 digit, each 0 ... 9 and limited alpha characters
<b>Safety</b>	
Measurement current signaling	According to NAMUR NE 43, signal 3.8 ... 20.5 mA, fault $\leq 3.6$ or $\geq 21$ mA (22 mA)
<b>Certificates and approvals</b>	
General	CE, CSA <sub>US/CA</sub> , FM, RCM, KCC, EAC
Dust Ignition Proof (Intrinsically Safe probe circuit)	• Canada/USA FM/CSA: Class II, Div. 1, Groups E, F, G Class III T4 ATEX 1/2 D T100 °C
Flame Proof (Intrinsically Safe probe circuit)	• Europe ATEX II 1/2 G EEx d [ia] IIC T6 ... T1 ATEX II 1/2 D T100 °C Ex d [ia Ga] IIC T6 ... T4 Gb Ex tb IIC T85 °C ... T100 °C Db IP65/IP68 EAC Ex
Explosion Proof (Intrinsically Safe probe circuit)	• Brazil Class I, Div. 1, Groups A, B, C, D Class II, Div. 1, Groups E, F, G Class III T4
• Russia/Kazakhstan	Bureau Veritas Type Approval ABS Type Approval, Lloyds Register, BV
Marine	AIB-Vincotte
Overfill Protection	Other
Other	Pattern Approval (AQSIQ, China), CRN, PED

- When operation is in areas classified as hazardous, observe restrictions according to relevant certificate. See also Pressure/Temperature curves on page 4/344.
- Thermal isolator is used if process connection temperature exceeds 85 °C (185 °F)
- Minimum voltage of 15 V DC is required for use at -40 °C (-40 °F)
- Not suitable for steam environments

Design: Probe	Rod version	Stilling well version	Cable version
Length	Min. 300 mm (12 inch), max. 5 000 mm (197 inch)	Min. 300 mm (12 inch), max. 5 000 mm (197 inch)	Min. 1 000 mm (40 inch), max. 25 000 mm (984 inch)
Sensor wetted parts	PFA, 316L stainless steel	PFA, 316L stainless steel	316L stainless steel or 316L stainless steel with PFA insulation
O-ring seal material	FKM or FFKM	FKM or FFKM	FKM or FFKM
Thermal isolator	Optional	Optional	Optional
Options	N/A	N/A	Mounting eye for PFA insulated cable version

Selection and Ordering data	Article No.	Selection and Ordering data	Article No.
<b>SITRANS LC300, rod version</b>	<b>7ML5670-</b>	<b>SITRANS LC300, rod version</b>	<b>7ML5670-</b>
An inverse frequency shift capacitance continuous level transmitter for liquids and solids applications.		An inverse frequency shift capacitance continuous level transmitter for liquids and solids applications.	
↗ Click on the Article No. for the online configuration in the PIA Life Cycle Portal.			
<b>Process connection</b>		<b>Probe Length (from flange face or including process thread)</b>	
Threaded, 316L stainless steel		Add Order code Y01 and plain text: "Insertion length ... mm"	
¾" NPT [(Taper), ANSI/ASME B1.20.1]	0 A	300 ... 1 000 mm (11.81 ... 39.37 inch)	A
1" NPT [(Taper), ANSI/ASME B1.20.1]	0 B	1 001 ... 2 000 mm (39.41 ... 78.74 inch)	B
1¼" NPT [(Taper), ANSI/ASME B1.20.1]	0 C	2 001 ... 3 000 mm (78.78 ... 118.11 inch)	C
1½" NPT [(Taper), ANSI/ASME B1.20.1]	0 D	3 001 ... 4 000 mm (118.15 ... 157.48 inch)	D
R ¾" [(BSPT), EN 10226/PT (JIS-T), JIS B 0203]	1 A	4 001 ... 5 000 mm (157.52 ... 196.85 inch)	E
R 1" [(BSPT), EN 10226/PT (JIS-T), JIS B 0203]	1 B	Bent probes also available. Please contact a local sales person for details.	
R 1½" [(BSPT), EN 10226/PT (JIS-T), JIS B 0203]	1 D	For more information, please visit <a href="http://www.automation.siemens.com/asp_app">http://www.automation.siemens.com/asp_app</a> .	
G ¾" [(BSPP), EN ISO 228-1/PF (JIS-P), JIS B 0202]	3 A	<b>Thermal isolator</b>	
G 1" [(BSPP), EN ISO 228-1/PF (JIS-P), JIS B 0202]	3 B	Without thermal isolator	0
G 1½" [(BSPP), EN ISO 228-1/PF (JIS-P), JIS B 0202]	3 D	With thermal isolator [for process connection temperatures over 85 °C (185 °F)]	1
<u>Welded flange, 316L stainless steel, raised face<sup>1)</sup></u>		<b>Wetted seals</b>	
1" ASME, 150 lb	5 A	FKM	0
1" ASME, 300 lb	5 B	FFKM [for process temperatures above -20 °C (-4 °F)]	1
1" ASME, 600 lb	5 C		
1½" ASME, 150 lb	5 D	<b>Probe material</b>	
1½" ASME, 300 lb	5 E	19 mm (0.75 inch) diameter 316L stainless steel, PFA lined rod	0
1½" ASME, 600 lb	5 F		
2" ASME, 150 lb	5 G	<b>Approvals</b>	
2" ASME, 300 lb	5 H	General Safety (CSA, FM, CE, RCM)	A
2" ASME, 600 lb	5 J	Dust Ignition Proof With IS Probe CE, RCM, ATEX II 1/2 D T100 °C	B
3" ASME, 150 lb	5 K	Flame Proof Enclosure With IS Probe CE, RCM, ATEX II 1/2 G EEx d [ia] IIC T6 ... T1, ATEX II 1/2 D T100 °C	C
3" ASME, 300 lb	5 L		
3" ASME, 600 lb	5 M	Dust Ignition Proof With IS Probe CSA/FM Class II, Div. 1, Groups E, F, G CSA/FM Class III T4	D
4" ASME, 150 lb	5 N	Explosion Proof Enclosure With IS Probe CSA/FM Class I, Div. 1, Groups A, B, C, D CSA/FM Class II, Div. 1, Groups E, F, G CSA/FM Class III T4	E
4" ASME, 300 lb	5 P		
4" ASME, 600 lb	5 Q	<b>Enclosure</b>	
<u>Welded flange, 316L stainless steel, Type A flat faced<sup>1)</sup></u>		Aluminum epoxy coated 2 x ½" NPT via adapter - cable inlet, IP65	A
DN 25, PN 16	6 A	Aluminum epoxy coated 2 x M20 x 1.5 cable inlet, IP65	B
DN 25, PN 40	6 B	Aluminum epoxy coated 2 x ½" NPT via adapter - cable inlet, IP68	C
DN 40, PN 16	6 C	Aluminum epoxy coated 2 x M20 x 1.5 cable inlet, IP68	D
DN 40, PN 40	6 D		
DN 50, PN 16	6 E	Stainless steel, contact local sales person for details.	
DN 50, PN 40	6 F	For more information, please visit <a href="http://www.automation.siemens.com/asp_app">http://www.automation.siemens.com/asp_app</a> .	
DN 80, PN 16	6 G		
DN 80, PN 40	6 H		
DN 100, PN 16	6 J		
DN 100, PN 40	6 K		
Sanitary, hastelloy, duplex or other custom process connections available. Please contact a local sales person for details. For more information, please visit <a href="http://www.automation.siemens.com/asp_app">http://www.automation.siemens.com/asp_app</a> .			

<sup>1)</sup> Flange bolting patterns and facings dimensionally correspond to the applicable ASME B16.5 or EN 1092-1 standard.

## Level Measurement

### Continuous level measurement - Capacitance transmitters

#### SITRANS LC300

Selection and Ordering data	Order code
<b>Further designs</b>	
Please add <b>"-Z"</b> to Article No. and specify Order code(s).	
Insertion length, specify in plain text: Y01: ... mm	<b>Y01</b>
Stainless steel tag [69 x 50 mm (2.71 x 1.97 inch)]: Measuring-point number/identification (max. 27 characters) specify in plain text	<b>Y15</b>
Manufacturer's Test Certificate: M to DIN 55350, Part 18 and to ISO 9000	<b>C11</b>
Inspection Certificate Type 3.1 per EN 10204	<b>C12</b>
<b>Operating Instructions</b>	
English	<b>7ML1998-5HE03</b>
German	<b>7ML1998-5HE33</b>
Note: The Operating Instructions should be ordered as a separate line item on the order. All literature is available to download for free, in a range of languages, at <a href="http://www.siemens.com/processinstrumentation/documentation">http://www.siemens.com/processinstrumentation/documentation</a> This device is shipped with the Siemens Level and Weighing manual DVD containing the ATEX Quick Start and Operating Instructions library.	
<b>Accessories</b>	
Electronic transmitter kit (includes transmitter and driver)	<b>7ML1830-1KN</b>
SITRANS RD100, loop powered display - see Chapter 7	<b>7ML5741-...</b>
SITRANS RD200, universal input display with Modbus conversion - see Chapter 7	<b>7ML5740-...</b>
SITRANS RD300, dual line display with totalizer and linearization curve and Modbus conversion - see Chapter 7	<b>7ML5744-...</b>
SITRANS RD500 web, universal remote monitoring solution for instrumentation - see Chapter 7	<b>7ML5750-...</b>
For applicable back up point level switch - see point level measurement section	

Selection and Ordering data	Article No.	Selection and Ordering data	Article No.
<b>SITRANS LC300, stilling well version</b> An inverse frequency shift capacitance continuous level transmitter for liquid applications. <a href="#">Click on the Article No. for the online configuration in the PIA Life Cycle Portal.</a>	<b>7ML5671-</b> - - - 0	<b>SITRANS LC300, stilling well version</b> An inverse frequency shift capacitance continuous level transmitter for liquid applications. Dust Ignition Proof With IS Probe CSA/FM Class II, Div. 1, Groups E, F, G CSA/FM Class III T4 Explosion Proof Enclosure With IS Probe CSA/FM Class I, Div. 1, Groups A, B, C, D CSA/FM Class II, Div. 1, Groups E, F, G CSA/FM Class III T4 <b>Enclosure</b> Aluminum epoxy coated 2 x 1/2" NPT via adapter - cable inlet, IP65 Aluminum epoxy coated 2 x M20 x 1.5 cable inlet, IP65 Aluminum epoxy coated 2 x 1/2" NPT via adapter - cable inlet, IP68 Aluminum epoxy coated 2 x M20 x 1.5 cable inlet, IP68 Stainless steel, please contact a local sales person for details. For more information, please visit <a href="http://www.automation.siemens.com/aspa_app">http://www.automation.siemens.com/aspa_app</a> . 1) Flange bolting patterns and facings dimensionally correspond to the applicable ASME B16.5 or EN 1092-1 standard.	7ML5671- - - - 0 D E A B C D
<b>Process connection</b> Threaded, 316L stainless steel 1 1/2" NPT [(Taper), ANSI/ASME B1.20.1] R 1 1/2" [(BSPT), EN 10226/PT (JIS-T), JIS B 0203] G 1 1/2" [(BSPP), EN ISO 228-1/PF (JIS-P), JIS B 0202] <u>Welded flange, 316L stainless steel, raised face<sup>1)</sup></u> 1 1/2" ASME, 150 lb 1 1/2" ASME, 300 lb 1 1/2" ASME, 600 lb 2" ASME, 150 lb 2" ASME, 300 lb 2" ASME, 600 lb 3" ASME, 150 lb 3" ASME, 300 lb 3" ASME, 600 lb 4" ASME, 150 lb 4" ASME, 300 lb 4" ASME, 600 lb <u>Welded flange, 316L stainless steel, Type A flat faced<sup>1)</sup></u> DN 40, PN 16 DN 40, PN 40 DN 50, PN 16 DN 50, PN 40 DN 80, PN 16 DN 80, PN 40 DN 100, PN 16 DN 100, PN 40 Sanitary, hastelloy, duplex or other custom process connections available. Please contact a local sales person for details. For more information, please visit <a href="http://www.automation.siemens.com/aspa_app">http://www.automation.siemens.com/aspa_app</a> .	0 D 1 D 3 D 5 D 5 E 5 F 5 G 5 H 5 J 5 K 5 L 5 M 5 N 5 P 5 Q 6 C 6 D 6 E 6 F 6 G 6 H 6 J 6 K	<b>Selection and Ordering data</b> <b>Further designs</b> Please add "-Z" to Article No. and specify Order code(s). Insertion length, specify in plain text: Y01: ... mm Stainless steel tag [69 x 50 mm (2.71 x 1.97 inch)]; Measuring-point number/identification (max. 27 characters) specify in plain text Manufacturer's Test Certificate: M to DIN 55350, Part 18 and to ISO 9000 Inspection Certificate Type 3.1 per EN 10204 <b>Operating Instructions</b> English German Note: The Operating Instructions should be ordered as a separate line item on the order. All literature is available to download for free, in a range of languages, at <a href="http://www.siemens.com/processinstrumentation/documentation">http://www.siemens.com/processinstrumentation/documentation</a> This device is shipped with the Siemens Level and Weighing manual DVD containing the ATEX Quick Start and Operating Instructions library. <b>Accessories</b> Electronic transmitter kit (includes transmitter and driver) SITRANS RD100, loop powered display - see Chapter 7 SITRANS RD200, universal input display with Modbus conversion - see Chapter 7 SITRANS RD300, dual line display with totalizer and linearization curve and Modbus conversion - see Chapter 7 SITRANS RD500 web, universal remote monitoring solution for instrumentation - see Chapter 7 For applicable back up point level switch - see point level measurement section	Order code Y01 Y15 C11 C12 Article No. 7ML1998-5HE03 7ML1998-5HE33 7ML1830-1KN 7ML5741-... 7ML5740-... 7ML5744-... 7ML5750-...
<b>Probe Length (from flange face or including process thread)</b> Add Order code Y01 and plain text: <u>"Insertion length ... mm"</u> 300 ... 1 000 mm (11.81 ... 39.37 inch) 1 001 ... 2 000 mm (39.41 ... 78.74 inch) 2 001 ... 3 000 mm (78.78 ... 118.11 inch) 3 001 ... 4 000 mm (118.15 ... 157.48 inch) 4 001 ... 5 000 mm (157.52 ... 196.85 inch)	A B C D E		
<b>Thermal isolator</b> Without thermal isolator With thermal isolator [for process connection temperatures over 85 °C (185 °F)]	0 1		
<b>Wetted seals</b> FKM FFKM [for process temperatures above -20 °C (-4 °F)]	0 1		
<b>Probe material</b> 35 mm (1.38 inch) diameter stilling well, with 19 mm (0.75 inch) diameter 316L stainless steel, PFA lined rod with PTFE spacers	1		
<b>Approvals</b> General Safety (CSA, FM, CE, RCM) Dust Ignition Proof With IS Probe CE, RCM, ATEX II 1/2 D T100 °C Flame Proof Enclosure With IS Probe CE, RCM, ATEX II 1/2 G EEx d [ia] IIC T6 ... T1, ATEX II 1/2 D T100 °C	A B C		

## Level Measurement

### Continuous level measurement - Capacitance transmitters

#### SITRANS LC300

##### Selection and Ordering data

Article No.

##### SITRANS LC300, cable version

7ML5672-

An inverse frequency shift capacitance continuous level transmitter for non-conductive liquids and solids applications.

➔ Click on the Article No. for the online configuration in the PIA Life Cycle Portal.

##### Process connection

###### Threaded, 316L stainless steel

1½" NPT [(Taper), ANSI/ASME B1.20.1]

R 1½" [(BSPT), EN 10226/PT (JIS-T),

JIS B 0203]

G 1½" [(BSPP), EN ISO 228-1/PF (JIS-P),

JIS B 0202]

###### Welded flange, 316L stainless steel, raised face<sup>1)</sup>

1½" ASME, 150 lb

1½" ASME, 300 lb

1½" ASME, 600 lb

2" ASME, 150 lb

2" ASME, 300 lb

2" ASME, 600 lb

3" ASME, 150 lb

3" ASME, 300 lb

3" ASME, 600 lb

4" ASME, 150 lb

4" ASME, 300 lb

4" ASME, 600 lb

###### Welded flange, 316L stainless steel,

Type A flat faced<sup>1)</sup>

DN 40, PN 16

DN 40, PN 40

DN 50, PN 16

DN 50, PN 40

DN 80, PN 16

DN 80, PN 40

DN 100, PN 16

DN 100, PN 40

Sanitary, hastelloy, duplex or other custom process connections available.

Please contact a local sales person for details.

For more information, please visit

[http://www.automation.siemens.com/aspa\\_app](http://www.automation.siemens.com/aspa_app).

##### Probe Length

##### (from flange face or including process thread)

Add Order code Y01 and plain text:

"Insertion length ... mm"

1 000 ... 2 000 mm (39.37 ... 78.74 inch)

2 001 ... 4 000 mm (78.78 ... 157.48 inch)

4 001 ... 6 000 mm (157.52 ... 236.22 inch)

6 001 ... 8 000 mm (236.26 ... 314.96 inch)

8 001 ... 10 000 mm (315.00 ... 393.70 inch)

10 001 ... 12 000 mm (393.74 ... 472.44 inch)

12 001 ... 14 000 mm (472.48 ... 551.18 inch)

14 001 ... 16 000 mm (551.22 ... 629.92 inch)<sup>2)</sup>

16 001 ... 18 000 mm (629.96 ... 708.66 inch)<sup>2)</sup>

18 001 ... 20 000 mm (708.70 ... 787.40 inch)<sup>2)</sup>

20 001 ... 22 000 mm (787.44 ... 866.14 inch)<sup>2)</sup>

22 001 ... 24 000 mm (866.18 ... 944.88 inch)<sup>2)</sup>

24 001 ... 25 000 mm (944.92 ... 984.25 inch)<sup>2)</sup>

##### Thermal isolator

Without thermal isolator

With thermal isolator [for process connection temperatures over 85 °C (185 °F)]

##### Wetted seals

FKM

FFKM [for process temperatures above -20 °C (-4 °F)]

##### Selection and Ordering data

Article No.

##### SITRANS LC300, cable version

7ML5672-

An inverse frequency shift capacitance continuous level transmitter for non-conductive liquids and solids applications.

##### Probe material

Bare 316L stainless steel cable and 316L stainless steel cable weight, tinned copper crimp, PTFE backing ring, PEEK isolator and PFA lined active shield

##### Approvals

General Safety (CSA, FM, CE, RCM)

Dust Ignition Proof With IS Probe

CE, RCM, ATEX II 1/2 D T100 °C

Flame Proof Enclosure With IS Probe

CE, RCM, ATEX II 1/2 G EEx d [ia] IIC T6 ... T1,

ATEX II 1/2 D T100 °C

Dust Ignition Proof With IS Probe

CSA/FM Class II, Div. 1, Groups E, F, G

CSA/FM Class III T4

Explosion Proof Enclosure With IS Probe

CSA/FM Class I, Div. 1, Groups A, B, C, D

CSA/FM Class II, Div. 1, Groups E, F, G

CSA/FM Class III T4

##### Enclosure

Aluminum epoxy coated 2 x ½" NPT via adapter - cable inlet, IP65

Aluminum epoxy coated 2 x M20 x 1.5 cable inlet, IP65

Aluminum epoxy coated 2 x ½" NPT via adapter - cable inlet, IP68

Aluminum epoxy coated 2 x M20 x 1.5 cable inlet, IP68

Stainless steel, please contact a local sales person for details.

For more information, please visit

[http://www.automation.siemens.com/aspa\\_app](http://www.automation.siemens.com/aspa_app).

<sup>1)</sup> Flange bolting patterns and facings dimensionally correspond to the applicable ASME B16.5 or EN 1092-1 standard.

<sup>2)</sup> Cable lengths from 15 000 mm (590.55 inch) to 25 000 mm (984.25 inch) can be used in non-conductive media. Contact Factory for assistance.

Selection and Ordering data	Order code
<b>Further designs</b>	
Please add <b>"-Z"</b> to Article No. and specify Order code(s).	
Insertion length, specify in plain text: Y01: ... mm	<b>Y01</b>
Stainless steel tag [69 x 50 mm (2.71 x 1.97 inch)]: Measuring-point number/identification (max. 27 characters) specify in plain text	<b>Y15</b>
Manufacturer's Test Certificate: M to DIN 55350, Part 18 and to ISO 9000	<b>C11</b>
Inspection Certificate Type 3.1 per EN 10204	<b>C12</b>
<b>Operating Instructions</b>	
English	Article No. <b>7ML1998-5HE03</b>
German	<b>7ML1998-5HE33</b>
Note: The Operating Instructions should be ordered as a separate line item on the order. All literature is available to download for free, in a range of languages, at <a href="http://www.siemens.com/processinstrumentation/documentation">http://www.siemens.com/processinstrumentation/documentation</a> This device is shipped with the Siemens Level and Weighing manual DVD containing the ATEX Quick Start and Operating Instructions library.	
<b>Accessories</b>	
Electronic transmitter kit (includes transmitter and driver)	<b>7ML1830-1KN</b>
SITRANS RD100, loop powered display - see Chapter 7	<b>7ML5741-...</b>
SITRANS RD200, universal input display with Modbus conversion - see Chapter 7	<b>7ML5740-...</b>
SITRANS RD300, dual line display with totalizer and linearization curve and Modbus conversion - see Chapter 7	<b>7ML5744-...</b>
SITRANS RD500 web, universal remote monitoring solution for instrumentation - see Chapter 7	<b>7ML5750-...</b>
For applicable back up point level switch - see point level measurement section	

## Level Measurement

### Continuous level measurement - Capacitance transmitters

#### SITRANS LC300

##### Selection and Ordering data

Article No.

##### SITRANS LC300, PFA coated cable version

7ML5673-

An inverse frequency shift capacitance continuous level transmitter for liquids and solids applications.

➤ Click on the Article No. for the online configuration in the PIA Life Cycle Portal.

##### Process connection

Threaded, 316L stainless steel

1½" NPT [(Taper), ANSI/ASME B1.20.1]

R 1½" [(BSPT), EN 10226/PT (JIS-T), JIS B 0203]

G 1½" [(BSPP), EN ISO 228-1/PF (JIS-P), JIS B 0202]

Welded flange, 316L stainless steel, raised face<sup>1)</sup>

1½" ASME, 150 lb

1½" ASME, 300 lb

1½" ASME, 600 lb

2" ASME, 150 lb

2" ASME, 300 lb

2" ASME, 600 lb

3" ASME, 150 lb

3" ASME, 300 lb

3" ASME, 600 lb

4" ASME, 150 lb

4" ASME, 300 lb

4" ASME, 600 lb

Welded flange, 316L stainless steel,

Type A flat faced<sup>1)</sup>

DN 40, PN 16

DN 40, PN 40

DN 50, PN 16

DN 50, PN 40

DN 80, PN 16

DN 80, PN 40

DN 100, PN 16

DN 100, PN 40

Sanitary, hastelloy, duplex or other custom process connections available. Please contact a local sales person for details.

For more information, please visit

[http://www.automation.siemens.com/asp\\_app](http://www.automation.siemens.com/asp_app).

##### Probe Length

**(from flange face or including process thread)**

Add Order code Y01 and plain text:

"Insertion length ... mm"

1 000 ... 2 000 mm (39.37 ... 78.74 inch)

2 001 ... 4 000 mm (78.78 ... 157.48 inch)

4 001 ... 6 000 mm (157.52 ... 236.22 inch)

6 001 ... 8 000 mm (236.26 ... 314.96 inch)

8 001 ... 10 000 mm (315.00 ... 393.70 inch)

10 001 ... 12 000 mm (393.74 ... 472.44 inch)

12 001 ... 14 000 mm (472.48 ... 551.18 inch)

14 001 ... 16 000 mm (551.22 ... 629.92 inch)<sup>2)</sup>

16 001 ... 18 000 mm (629.96 ... 708.66 inch)<sup>2)</sup>

18 001 ... 20 000 mm (708.70 ... 787.40 inch)<sup>2)</sup>

20 001 ... 22 000 mm (787.44 ... 866.14 inch)<sup>2)</sup>

22 001 ... 24 000 mm (866.18 ... 944.88 inch)<sup>2)</sup>

24 001 ... 25 000 mm (944.92 ... 984.25 inch)<sup>2)</sup>

##### Thermal isolator

Without thermal isolator

With thermal isolator [for process connection temperatures over 85 °C (185 °F)]

##### Wetted seals

FKM

FFKM [for process temperatures above -20 °C (-4 °F)]

##### Selection and Ordering data

Article No.

##### SITRANS LC300, PFA coated cable version

7ML5673-

An inverse frequency shift capacitance continuous level transmitter for liquids and solids applications.

##### Probe material

PFA coated cable and 316L stainless steel cable weight, PEEK isolator and PFA lined active shield

##### Approvals

General Safety (CSA, FM, CE, RCM)

Dust Ignition Proof With IS Probe

CE, RCM, ATEX II 1/2 D T100 °C

Flame Proof Enclosure With IS Probe

CE, RCM, ATEX II 1/2 G EEx d [ia] IIC T6 ... T1, ATEX II 1/2 D T100 °C

Dust Ignition Proof With IS Probe

CSA/FM Class II, Div. 1, Groups E, F, G

CSA/FM Class III T4

Explosion Proof Enclosure With IS Probe

CSA/FM Class I, Div. 1, Groups A, B, C, D

CSA/FM Class II, Div. 1, Groups E, F, G

CSA/FM Class III T4

##### Enclosure

Aluminum epoxy coated 2 x ½" NPT via adapter - cable inlet, IP65

Aluminum epoxy coated 2 x M20 x 1.5 cable inlet, IP65

Aluminum epoxy coated 2 x ½" NPT via adapter - cable inlet, IP68

Aluminum epoxy coated 2 x M20 x 1.5 cable inlet, IP68

Stainless steel, please contact a local sales person for details.

For more information, please visit

[http://www.automation.siemens.com/asp\\_app](http://www.automation.siemens.com/asp_app).

##### Mounting eye

Without Mounting eye

With mounting eye

<sup>1)</sup> Flange bolting patterns and facings dimensionally correspond to the applicable ASME B16.5 or EN 1092-1 standard.

<sup>2)</sup> Cable lengths from 15 000 mm (590.55 inch) to 25 000 mm (984.25 inch) can be used in non-conductive media. Contact Factory for assistance.



Selection and Ordering data	Order code
<b>Further designs</b>	
Please add <b>"-Z"</b> to Article No. and specify Order code(s).	
Insertion length, specify in plain text: Y01: ... mm	<b>Y01</b>
Stainless steel tag [69 x 50 mm (2.71 x 1.97 inch)]: Measuring-point number/identification (max. 27 characters) specify in plain text	<b>Y15</b>
Manufacturer's Test Certificate: M to DIN 55350, Part 18 and to ISO 9000	<b>C11</b>
Inspection Certificate Type 3.1 per EN 10204	<b>C12</b>
<b>Operating Instructions</b>	
English	Article No. <b>7ML1998-5HE03</b>
German	<b>7ML1998-5HE33</b>
Note: The Operating Instructions should be ordered as a separate line item on the order. All literature is available to download for free, in a range of languages, at <a href="http://www.siemens.com/processinstrumentation/documentation">http://www.siemens.com/processinstrumentation/documentation</a> This device is shipped with the Siemens Level and Weighing manual DVD containing the ATEX Quick Start and Operating Instructions library.	
<b>Accessories</b>	
Electronic transmitter kit (includes transmitter and driver)	<b>7ML1830-1KN</b>
SITRANS RD100, loop powered display - see Chapter 7	<b>7ML5741-...</b>
SITRANS RD200, universal input display with Modbus conversion - see Chapter 7	<b>7ML5740-...</b>
SITRANS RD300, dual line display with totalizer and linearization curve and Modbus conversion - see Chapter 7	<b>7ML5744-...</b>
SITRANS RD500 web, universal remote monitoring solution for instrumentation - see Chapter 7	<b>7ML5750-...</b>
For applicable back up point level switch - see point level measurement section	

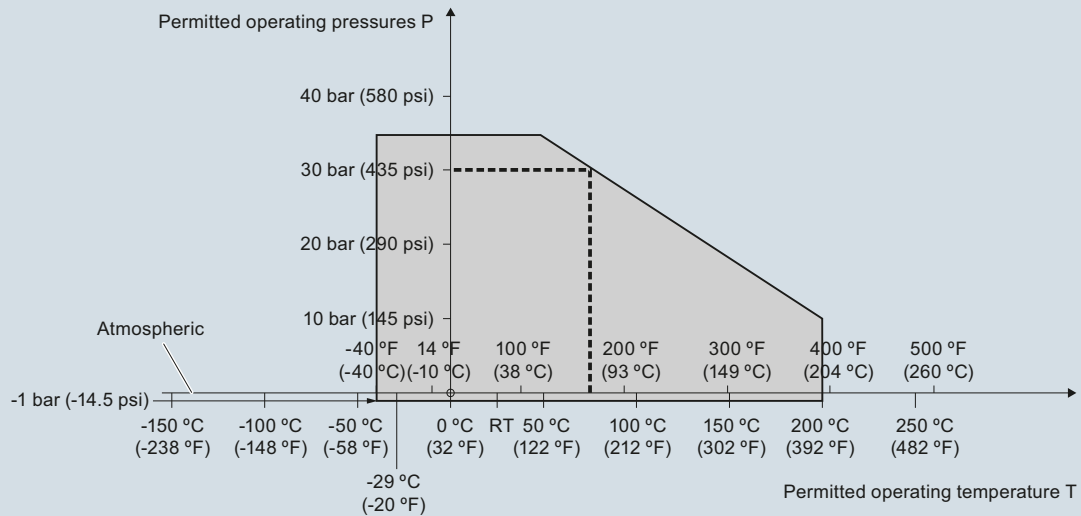
## Level Measurement

Continuous level measurement - Capacitance transmitters

### SITRANS LC300

#### Characteristic curves

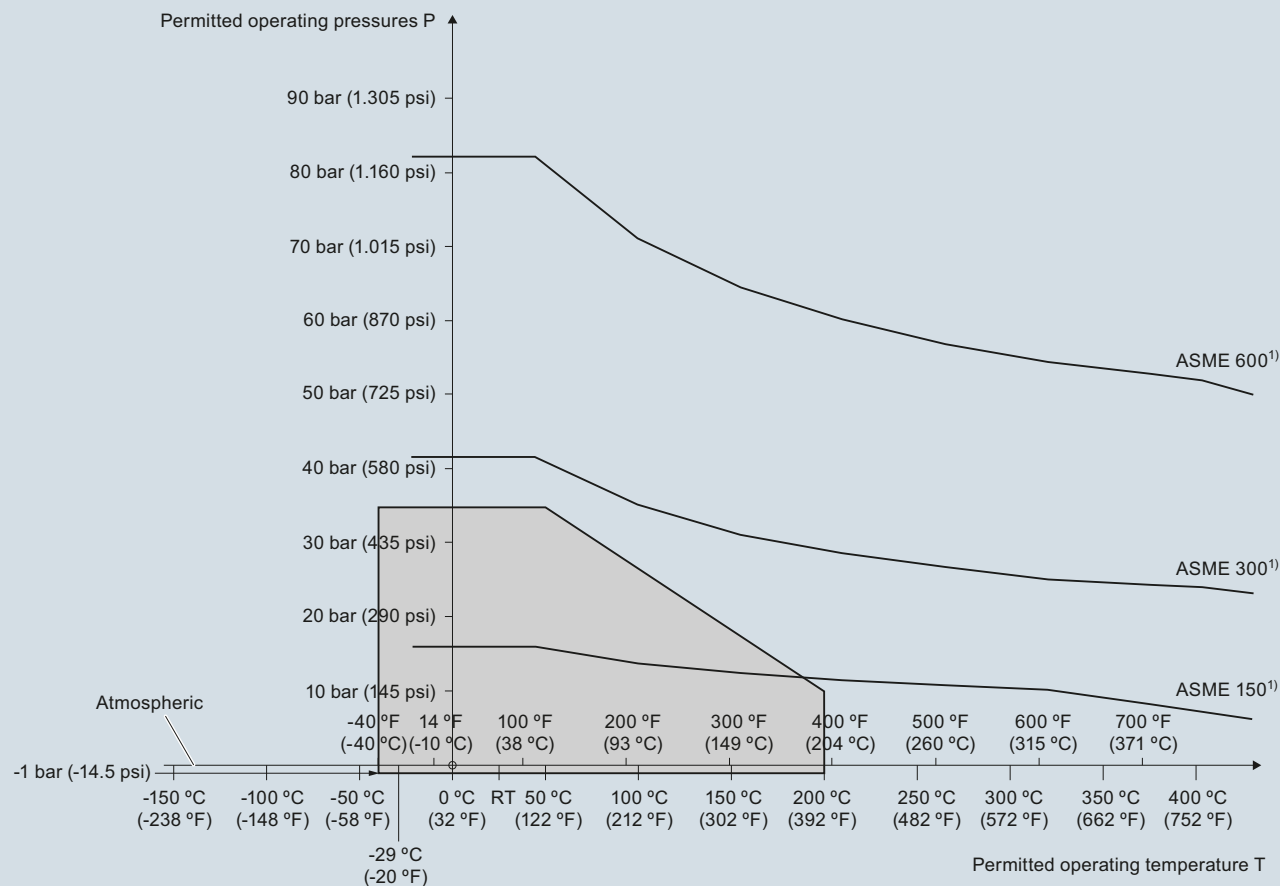
**Pressure/temperature curve**  
**LC300 standard, extended rod and cable probes**  
**Threaded process connections**  
**(7ML5670, 7ML5671, 7ML5672 and 7ML5673)**



----- Example:  
 Permitted operating pressure = 30 bar (435 psi) at 75 °C

SITRANS LC300 process pressure/temperature derating curves (7ML5670, 7ML5671, 7ML5672, and 7ML5673)

**Pressure/temperature curve**  
**LC300 standard, extended rod and cable probes**  
**ASME flanged process connections**  
**(7ML5670, 7ML5671, 7ML5672 and 7ML5673)**



<sup>1)</sup> The curve denotes the minimum allowable flange class for the shaded area below.

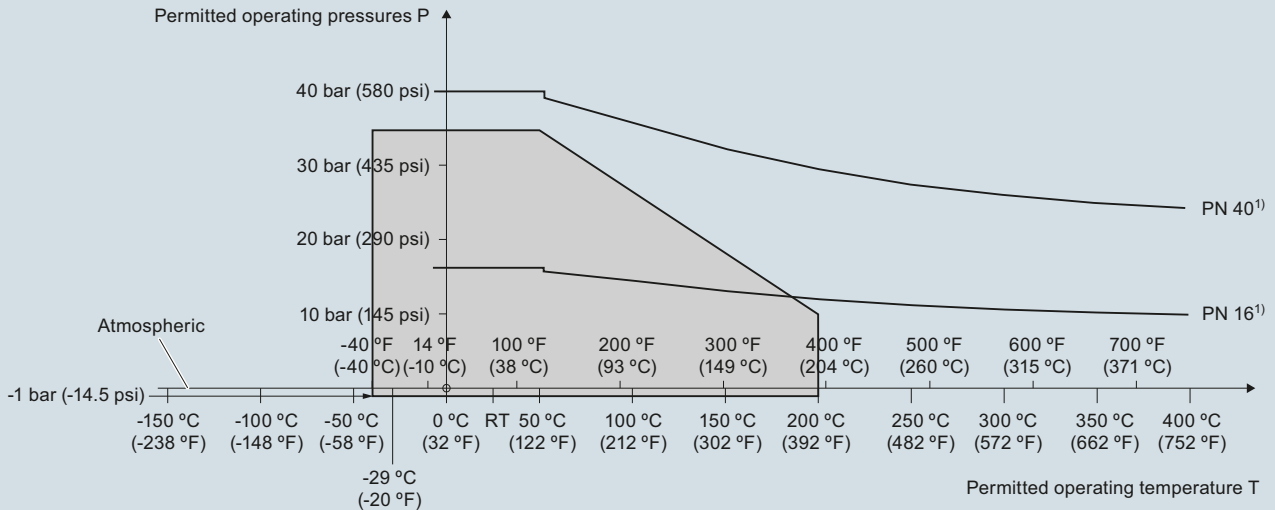
SITRANS LC300 process pressure/temperature derating curves (7ML5670, 7ML5671, 7ML5672, and 7ML5673)

## Level Measurement

Continuous level measurement - Capacitance transmitters

### SITRANS LC300

**Pressure/temperature curve**  
**LC300 standard, extended rod and cable probes**  
**EN flanged process connections**  
**(7ML5670, 7ML5671, 7ML5672 and 7ML5673)**

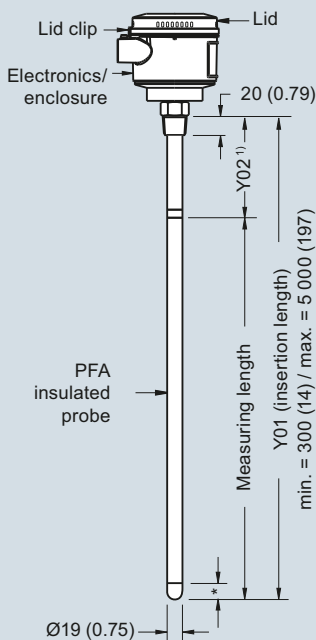


<sup>1)</sup> The curve denotes the minimum allowable flange class for the shaded area below.

SITRANS LC300 process pressure/temperature derating curves (7ML5670, 7ML5671, 7ML5672, and 7ML5673)

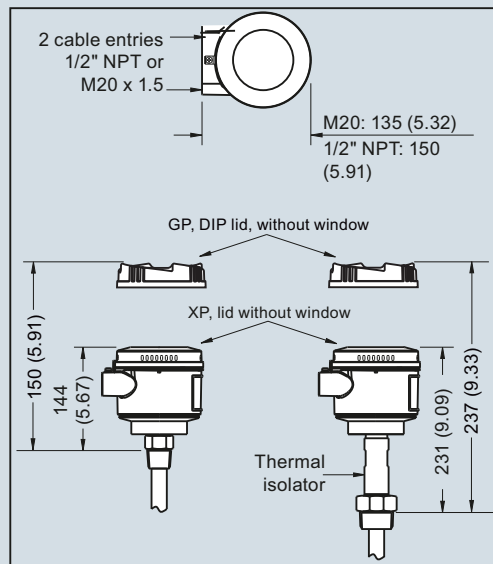
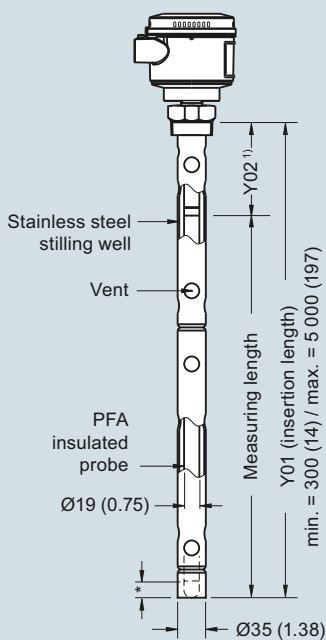
Dimensional drawings

Threaded (7ML5670)



\* = 30 (1.18) Inactive tip

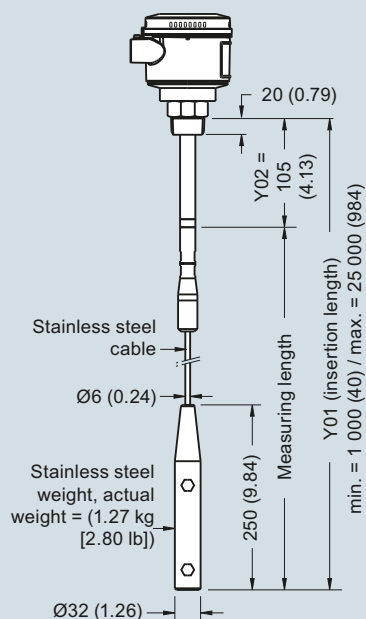
Threaded (7ML5671)



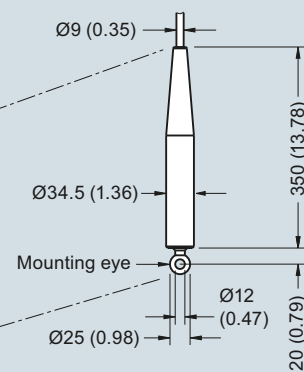
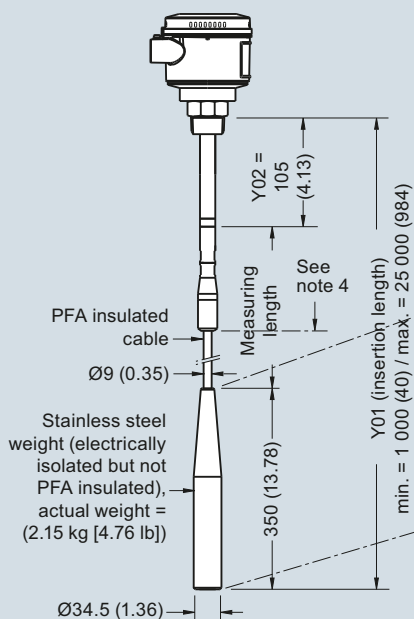
Note:

- 1) Rod version, threaded Y02 (including process connection): shield length = 120 (4.7).
- 2) For non-conductive applications only. Non-insulated cable can be shortened on site. Weight is included in measuring length.
- 3) For liquid and solid applications. Insulated cable cannot be shortened. Weight is **not** included in measuring length.
- 4) For conductive materials, the measuring length includes the exposed PFA insulated cable only. Any fluid contact with the upper rod assembly will result in a short circuit and incorrect readings.

Cable version, non-insulated<sup>2)</sup>  
Threaded (7ML5672)



Cable version, insulated<sup>3)</sup>  
Threaded (7ML5673)



SITRANS LC300 threaded process connections, dimensions in mm (inch)

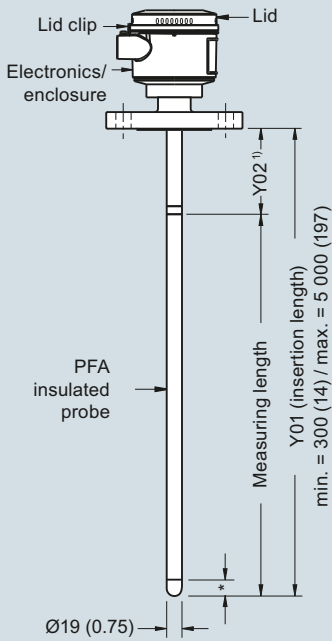
# Level Measurement

## Continuous level measurement - Capacitance transmitters

### SITRANS LC300

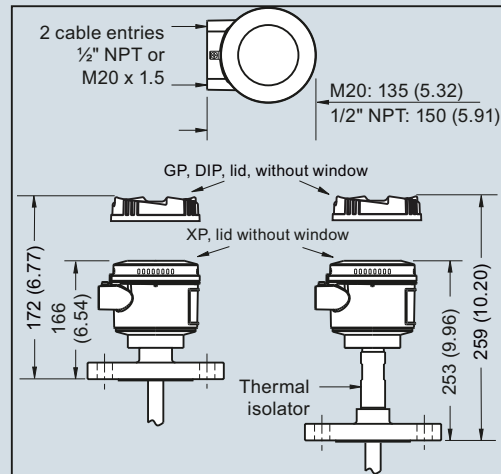
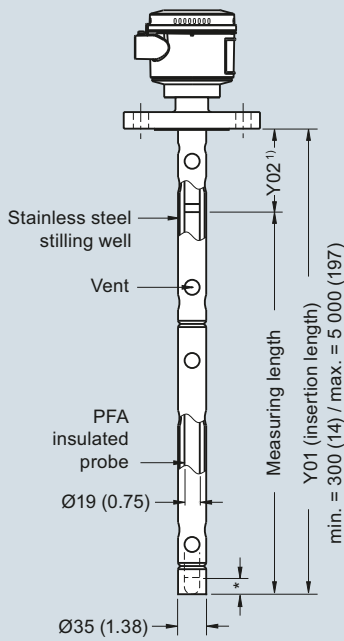
4

#### Welded Flange (7ML5670)



\* = 30 (1.18) inactive tip

#### Welded Flange (7ML5671)



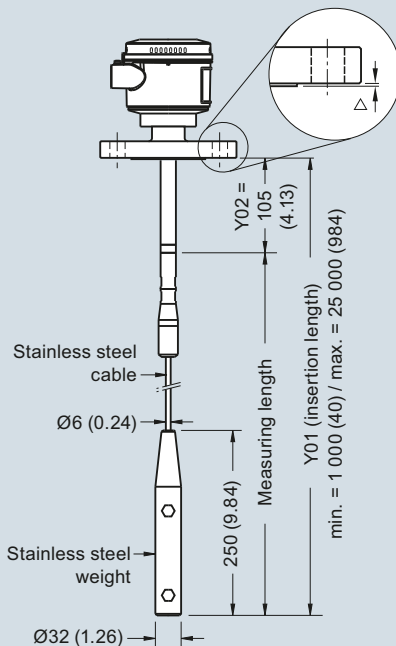
#### Flange Facing (raised face)

Flange Class	Facing thickness
△ ASME 150/300	2 (0.08)
△ ASME 600/900	7 (0.28)
△ PN16/40	2 (0.08)

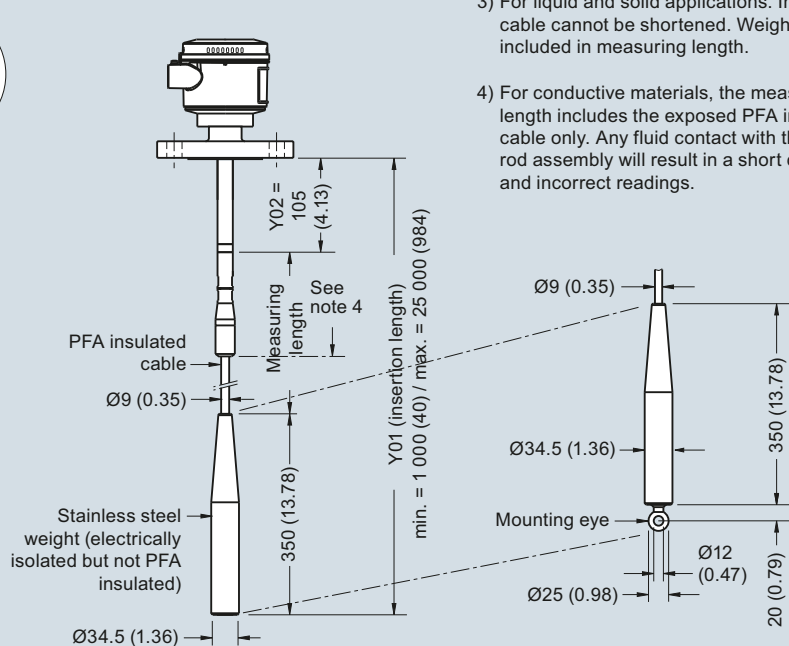
#### Notes:

- 1) Rod version, welded flange Y02: shield length = 100 (3.9).
- 2) For non-conductive applications only. Non-insulated cable can be shortened on site. Weight is included in measuring length.
- 3) For liquid and solid applications. Insulated cable cannot be shortened. Weight is **not** included in measuring length.
- 4) For conductive materials, the measuring length includes the exposed PFA insulated cable only. Any fluid contact with the upper rod assembly will result in a short circuit and incorrect readings.

#### Cable version, non-insulated<sup>2)</sup> Welded Flange (7ML5672)



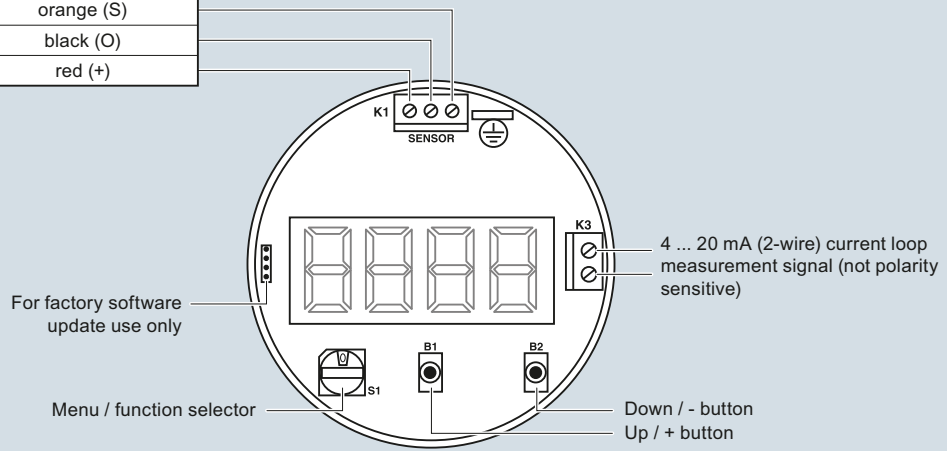
#### Cable version, insulated<sup>3)</sup> Welded Flange (7ML5673)



SITRANS LC300 flanged process connections, dimensions in mm (inch)



**Schematics**

With safety barrier	Without safety barrier
white (S)	orange (S)
black (O)	black (O)
red (+)	red (+)



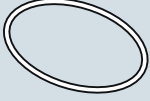
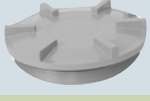





SITRANS LC300 connections

**Selection and ordering data****LC300 and LC500 Specials<sup>1)</sup>**

	Article No.
<b>LC300 Cable Extensions, 316L stainless steel</b>	
	
Kit, stainless steel cable extension, 1 m, adjustable by customer	<b>A5E01163688</b>
Kit, stainless steel cable extension, 3 m, adjustable by customer	<b>A5E01163689</b>
Kit, stainless steel cable extension, 5 m, adjustable by customer	<b>A5E01163690</b>
Kit, stainless steel cable extension, 10 m, adjustable by customer	<b>A5E01163691</b>
Kit, stainless steel cable extension, 15 m, adjustable by customer	<b>A5E01163693</b>
Kit, stainless steel cable extension, 20 m, adjustable by customer	<b>A5E01163695</b>
<b>LC300 Cable Extensions, 316 stainless steel with PFA coating</b>	
	
Kit, PFA cable extension, 1 m	<b>A5E01163709</b>
Kit, PFA cable extension, 3 m	<b>A5E01163710</b>
Kit, PFA cable extension, 5 m	<b>A5E01163711</b>
Kit, PFA cable extension, 10 m	<b>A5E01163712</b>
Kit, PFA cable extension, 15 m	<b>A5E01163713</b>
Kit, PFA cable extension, 20 m	<b>A5E01163714</b>

**LC300 and LC500 Specials<sup>1)</sup>**

	Article No.
<b>LC300 Mounting Eye</b>	
	
Spare mounting eye (LC300 PFA versions only)	<b>A5E01163717</b>
<b>LC300 Weight Kit, 316L stainless steel</b>	
	
Kit, Spare stainless steel weight. To be used in any cable version of CLS300, or stainless steel cable version of LC300	<b>A5E01163727</b>
<b>LC500 Gasket (IP65), Silicone</b>	
	
Spare gasket, LC500 enclosure version, IP65	<b>A5E01163728</b>
<b>LC500 Blind Lid</b>	
	
Spare LC500 aluminum blind lid	<b>A5E01163729</b>
<b>LC500 Mounting Eye</b>	
	
Spare mounting eye (PFA cable version only)	<b>A5E01163717</b>
<b>LC500 Mounting Bracket</b>	
	
Spare mounting bracket	<b>A5E01163730</b>
<b>LC500 Sanitary Versions<sup>2)</sup></b>	
	

<sup>1)</sup> Special flange sizes and facings are available. Please contact a local sales person for details.

<sup>2)</sup> Please contact a local sales person for part number and pricing.

Customers interested in a custom designed device should consult a local sales person. For more information, please visit [http://www.automation.siemens.com/aspa\\_app](http://www.automation.siemens.com/aspa_app).